

Getriebebau NORD

Schlicht + Küchenmeister GmbH & Co.

NORDAC compact

SK 250/1 FCV . SK 3000/1 FCV

SK 250/2 CV ... SK 4000/2 CV

SK 370/3 CV ... SK 7500/3 CV

Operating Instructions



Contents

Safety Instructions	2
1. OVERVIEW	4
2. INSTALLATION - NORDAC compact	5
3. CONTROLS AND BASIC OPERATION	16
4. OPERATING MODES	20
5. SYSTEM PARAMETERS	24
6. FAULT AND WARNING CODES	48
7. SPECIFICATIONS	51
8. SUPPLEMENTARY INFORMATION	52

Safety Instructions

Before installing and putting this equipment into operation, please read these safety instructions and warnings carefully and all the warning signs attached to the equipment. Make sure that the warning labels are kept in a legible condition and replace missing or damaged labels.



WARNING

This equipment contains dangerous voltages and controls dangerous rotating mechanical parts. Loss of life, severe personal injury or property damage can result if the instructions contained in this manual are not followed.

Only suitable qualified personnel should work on this equipment, and only after becoming familiar with all safety notices, installation, operation and maintenance procedures contained in this manual. The successful and safe operation of this equipment is dependent upon its proper handling, installation, operation and maintenance.

- The NORDAC compact units operate at high voltages.
- Only permanently-wired input power connections are allowed. This equipment must be grounded (IEC 536 Class 1, NEC and other applicable standards).
- If a Residual Current-operated protective Device (RCD) is to be used it must be an RCD type B.
- The dc-link capacitor remains charged to dangerous voltages even when the power is removed. For this reason it is not permissible to open the equipment until five minutes after the power has been turned off. When handling the open equipment it should be noted that live parts are exposed. Do not touch these live parts.
- Machines with a three phase power supply, fitted with EMC filters, must not be connected to a supply via an ELCB (Earth Leakage Circuit-Breaker - see *DIN VDE 0160, Section 5.5*).
- The following terminals can carry dangerous voltages even if the inverter is inoperative:-
-the power supply terminals L/L1, N/L2 and L3 - the motor terminals U, V, W.
-the braking resistor terminals B+/DC+ and B-.
- Only qualified personnel may connect, start the system up and repair faults. These personnel must be thoroughly acquainted with all the warnings and operating procedures contained in this manual.
- Certain parameter settings may cause the inverter to restart automatically after an input power failure.
- This equipment is capable of providing internal motor overload protection in accordance with UL508C section 42. Refer to P074. Motor overload protection can also be provided by using an external PTC. This equipment is suitable for use in a circuit capable of delivering not more than 100,000 symmetrical amperes (rms), for a maximum voltage of 230/460V* when protected by a time delay fuse*. *As detailed in section 8.
- This equipment must **not** be used as an 'emergency stop' mechanism (see *EN 60204, 9.2.5.4*).



CAUTION

- Children and the general public must be prevented from accessing or approaching the equipment!
- This equipment must only be used for the purpose specified by the manufacturer. Unauthorised modifications and the use of spare parts and accessories that are not sold or recommended by the manufacturer of the equipment can cause fires, electric shocks and injuries.
- Keep these operating instructions within easy reach and give them to all users!



European Low Voltage Directive

The NORDAC compact product range complies with the requirements of the Low Voltage Directive 73/23/EEC as amended by Directive 93/68/EEC. The units are certified for compliance with the following standards:

EN 60146-1-1 Semiconductor converters - General requirements and line commutated converters

European Machinery Directive

The NORDAC compact inverter series do not fall under the scope of the Machinery Directive. However, the products have been fully evaluated for compliance with the essential Health & Safety requirements of the directive when used in a typical machine application. A Declaration of Incorporation is available on request.

European EMC Directive

When installed according to the recommendations described in this manual, the NORDAC compact fulfil all requirements of the EMC Directive as defined by the EMC Product Standard for Power Drive Systems EN61800-3.



UL and CUL listed power conversion equipment 5B33 for use in a pollution degree 2 environment

IMPORTANT



WARNING

In order to ensure correct and safe operation, it is vital the following instructions are strictly adhered to:

- Operation of a motor with a higher nominal power than the inverter or a nominal power less than half that of the inverter is not allowed. The inverter must only be operated when the nominal current in P083 exactly matches the motor rating plate nominal current.
- The motor data parameters must be accurately entered (P080-P085) and an auto-calibration performed (P088=1) before the motor is started. Unstable/unpredictable motor operation (eg. reverse rotation) may result if this is not done. If this instability occurs, the mains supply to the converter must be disconnected.

When using the analogue input, the DIP switches must be correctly set and the analogue input type selected (P023) before enabling the analogue input with P006. If this is not done, the motor may start inadvertently.

1. OVERVIEW

The NORDAC compact is a standard range of inverters with sensorless vector capability suitable for controlling the speed of 3 phase motors. Various models are available, ranging from the 250 W NORDAC compact up to the 7.5 kW

Sensorless vector control allows the inverter to calculate the changes required in output current and frequency in order to maintain the desired motor speed across a wide range of load conditions.

Features:

- Easy to install, program and commission.
- Overload capability 200% for 3s followed by 150% for 60s.
- High starting torque and accurate motor speed regulation by vector control.
- Optional integrated RFI filter on single-phase input inverters (.../1 FCV).
- Fast Current Limit (FCL) for reliable trip-free operation.
- 0 to 50°C temperature range
- Closed loop process control using a standard Proportional, Integral, Derivative (PID) control loop function. 15 V, 50 mA supply provided for feedback transducer.
- Remote control capability via RS485 serial link using the USS protocol with the ability to control up to 31 inverters via the USS protocol.
- Factory default parameter settings pre-programmed for European, Asian and North American requirements.
- Output frequency (and hence motor speed) can be controlled by:
 - (1) Frequency setpoint using the keypad.
 - (2) High resolution analogue setpoint (voltage or current input).
 - (3) External potentiometer to control motor speed.
 - (4) 8 fixed frequencies via binary inputs.
 - (5) Motorised potentiometer function.
 - (6) Serial interface.
- Built-in DC injection brake with special COMPOUND BRAKING.
- Built-in brake chopper for external resistor.
- Acceleration/deceleration times with programmable smoothing.
- Two fully-programmable relay outputs (13 functions).
- One fully-programmable analogue output
- External Options connector for optional multi-language Clear Text Display (CBV) or optional PROFIBUS-DP module.
- Dual motor-parameter sets available if Clear Text Display (CBV) fitted.
- Automatic recognition of 2,4,6 or 8-pole motors by software.
- Integral software controlled cooling fan.
- Side-by-side mounting without additional clearance.

2. INSTALLATION - NORDAC compact

2.1 Mechanical Installation



WARNING

THIS EQUIPMENT MUST BE EARTHED.

To guarantee safe operation of the equipment it must be installed and commissioned properly by qualified personnel in compliance with the warnings laid down in these operating instructions.

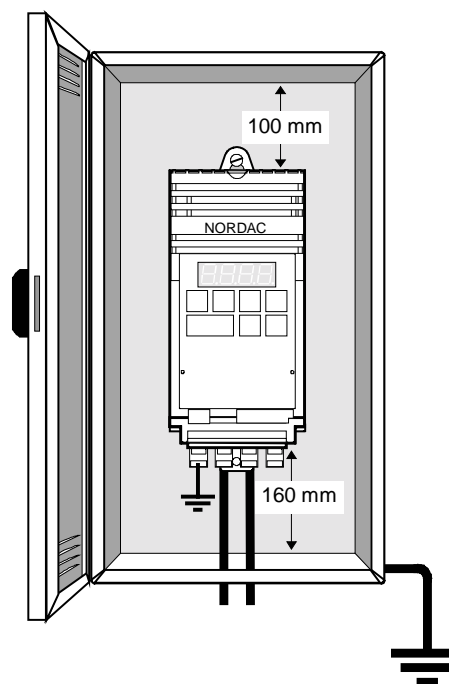
Take particular note of general and regional installation safety regulations regarding work on dangerous voltage installations (e.g. VDE), as well as the relevant regulations regarding the correct use of tools and personal protective gear.

The mains input and motor terminals carry dangerous voltages even if the inverter is not operating. Use insulated screwdrivers on these terminal blocks.

Environmental Requirements

Hazard	Notes
Temperature	Min. Operating = 0°C Max. Operating = 50°C
Altitude	If the Inverter is to be installed at an altitude >1000m, derating will be required.
Shock	Do not drop the inverter or expose to sudden shock. Do not install the inverter in an area where it is likely to be exposed to constant vibration.
Vibration	Do not install the inverter near sources of electro-magnetic radiation.
Electro-Magnetic Radiation	Do not install the inverter in an environment which contains atmospheric pollutants such as dust, corrosive gases, etc.
Atmospheric Pollution	Take care to site the inverter away from potential water hazards. e.g. Do not install the inverter beneath pipes that are subject to condensation
Water	Ensure that the inverter's air vents are not obstructed. Make sure that there is an adequate air-flow through the cabinet, as follows:
Overheating	<ol style="list-style-type: none"> Using the formula below, calculate the air-flow required: $\text{Air-flow (m}^3 \text{ / hr)} = (\text{Dissipated Watts} / \Delta T) \times 3.1$ If necessary, install cabinet cooling fan(s). <p>Note: Dissipation (Watts) = 3-5% of inverter rating. ΔT = Allowable temperature rise within cabinet in °C. 3.1 = Specific heat of air at sea level.</p>

Ideal Installation



NORDAC compact inverters must be secured to a suitable vertical surface by M4 bolts, washers and nuts. Frame size A units need two bolts or can be DIN rail mounted. Frame size B and C units require four bolts.

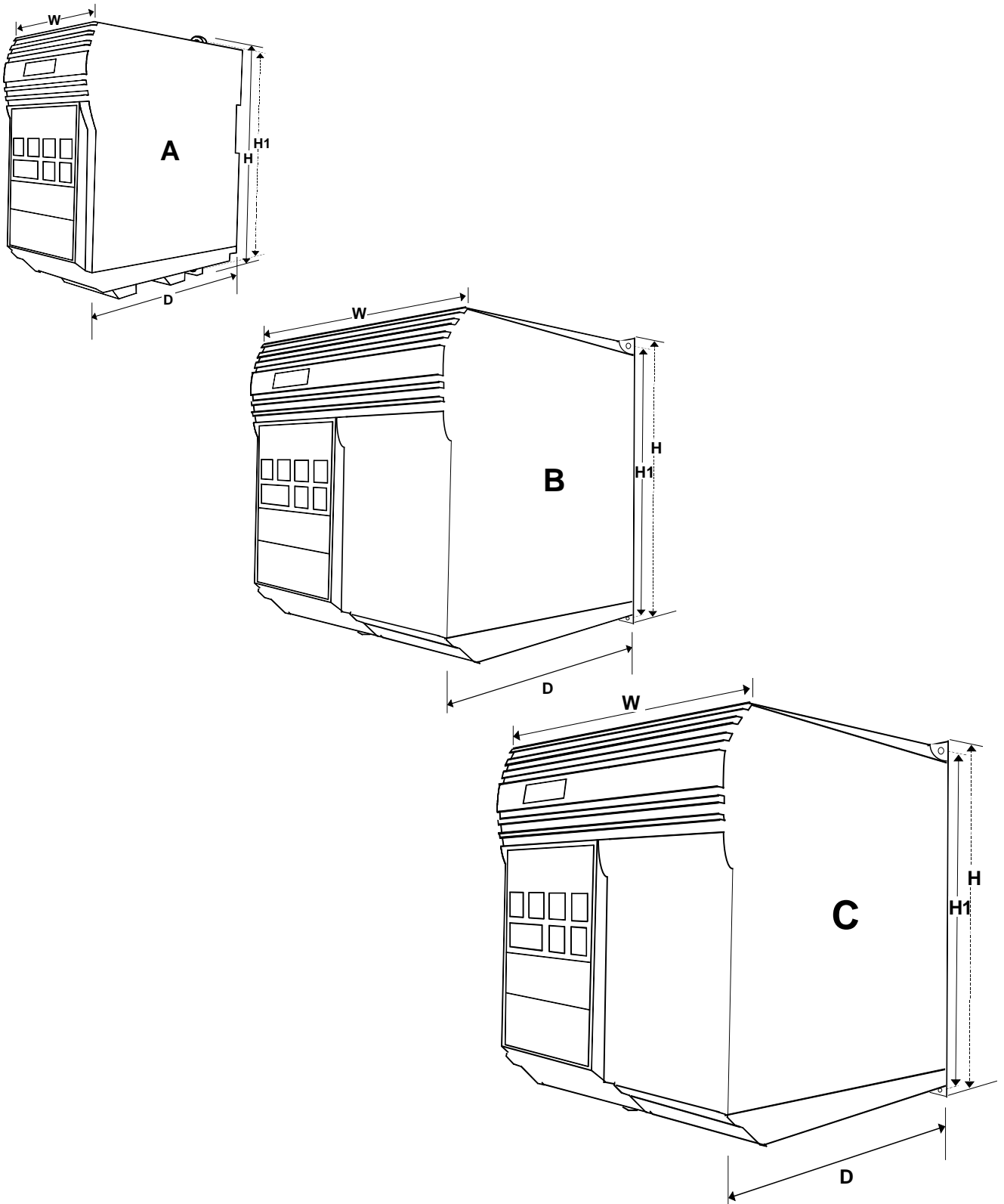
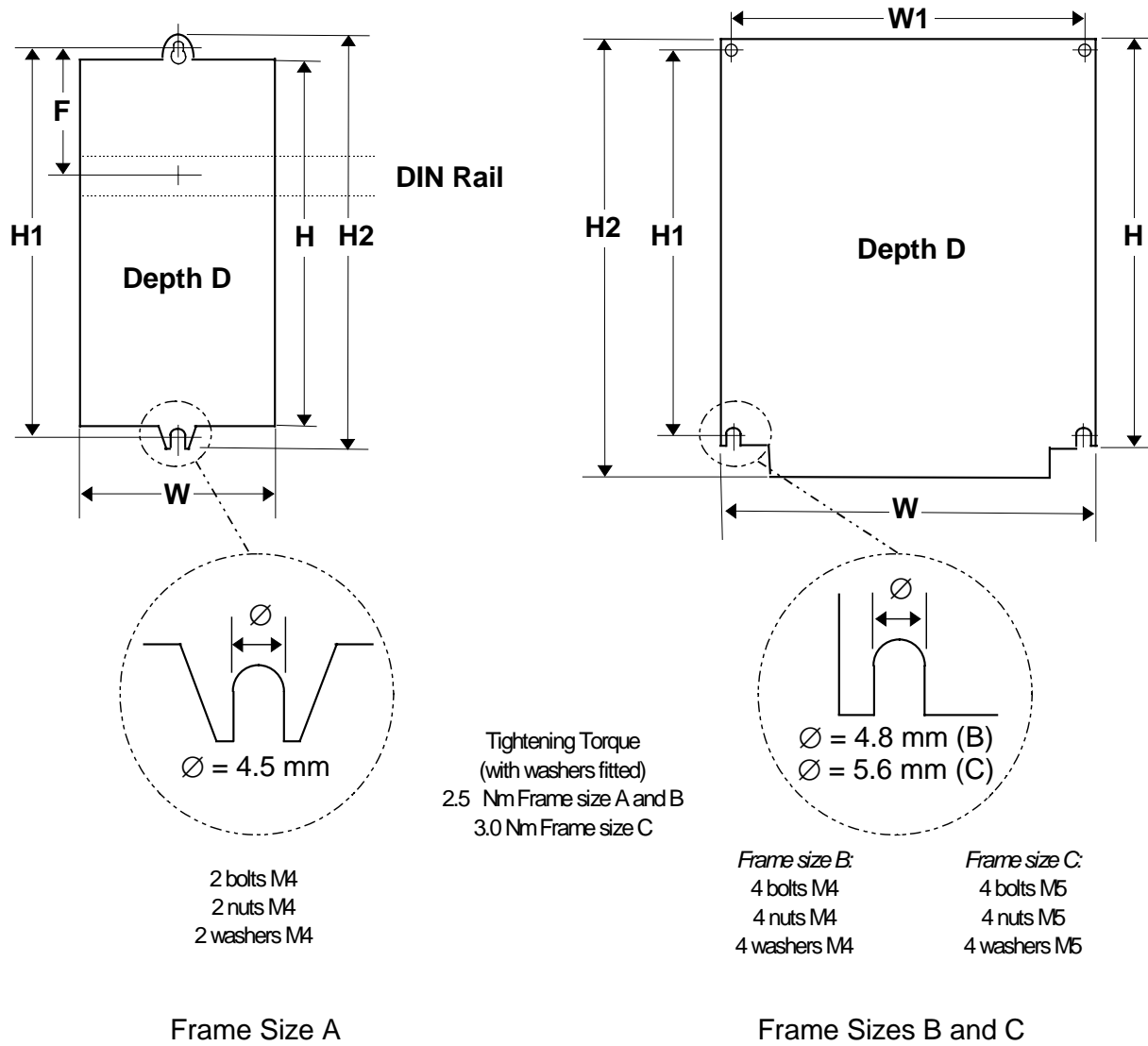


Figure1: NORDAC compact - Frame Size A, B and C



Frame Size A

Frame Sizes B and C

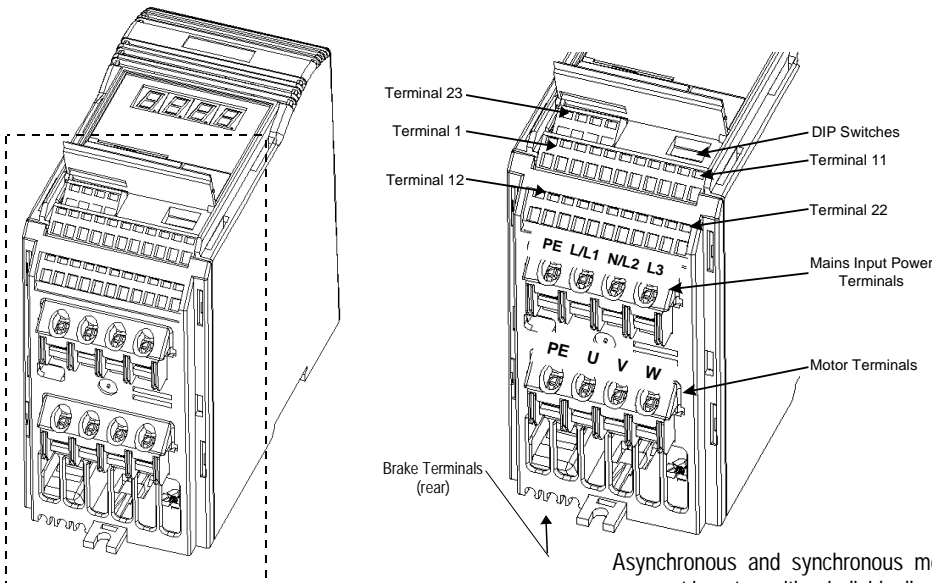
Model	SK.../1 FCV	SK.../2 CV	SK.../3 CV	Frame Sizes						
	1 AC 230 V	1/3 AC 230 V	3 AC 380 - 500 V	(all measurements in mm)						
	Class A Filter	Without Filter	Without Filter	H	W	D	H1	H2	W1	F
SK250	A	A	-	A = 147 x 73 x 141 160 175 - 55 B = 184 x 149 x 172 174 184 138 - C = 215 x 185 x 195 204 232 174 -						
SK370	A	A	A							
SK550	A	A	A							
SK750	A	A	A							
SK1100	B	B	A							
SK1500	B	B	A							
SK2200	C	C	B							
SK3000	C	C	B							
SK4000	-	C	C							
SK5500	-	-	C							
SK7500	-	-	C							

Figure 2: Mechanical Installation Diagram - NORDAC compact

2.2 Electrical Installation

Read the Wiring Guidelines given in Section 8.3 before commencing installation.

The electrical connectors on the NORDAC compact are shown in Figure 3.



Asynchronous and synchronous motors can be connected to the NORDAC compact inverters either individually or in parallel.

Note: If a synchronous motor is connected to the inverter, the motor current may be two and a half to three times greater than that expected, so, the inverter must be de-rated accordingly. Also, the inverter cannot be used in vector mode when connected to a synchronous motor. (P077 = 0 or 2)

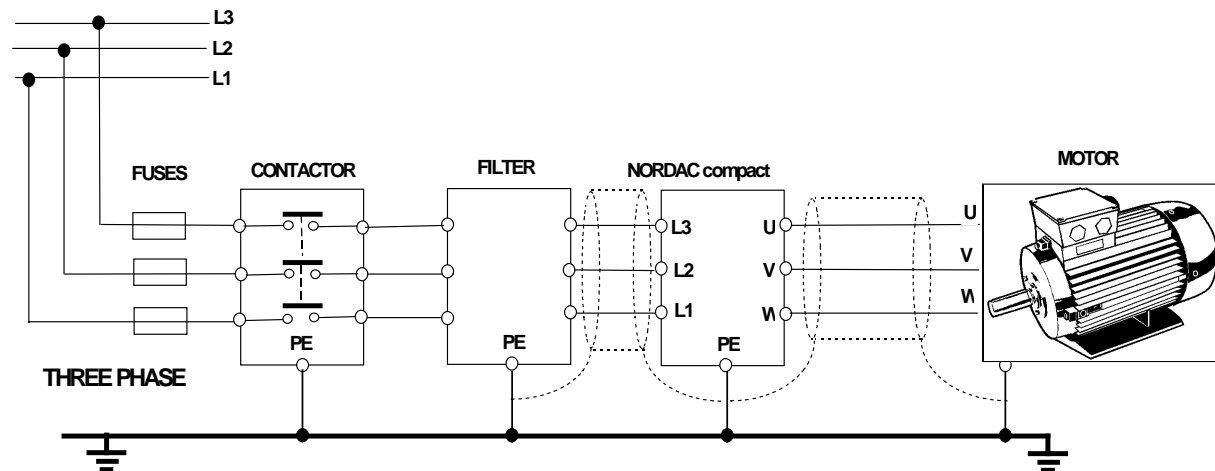
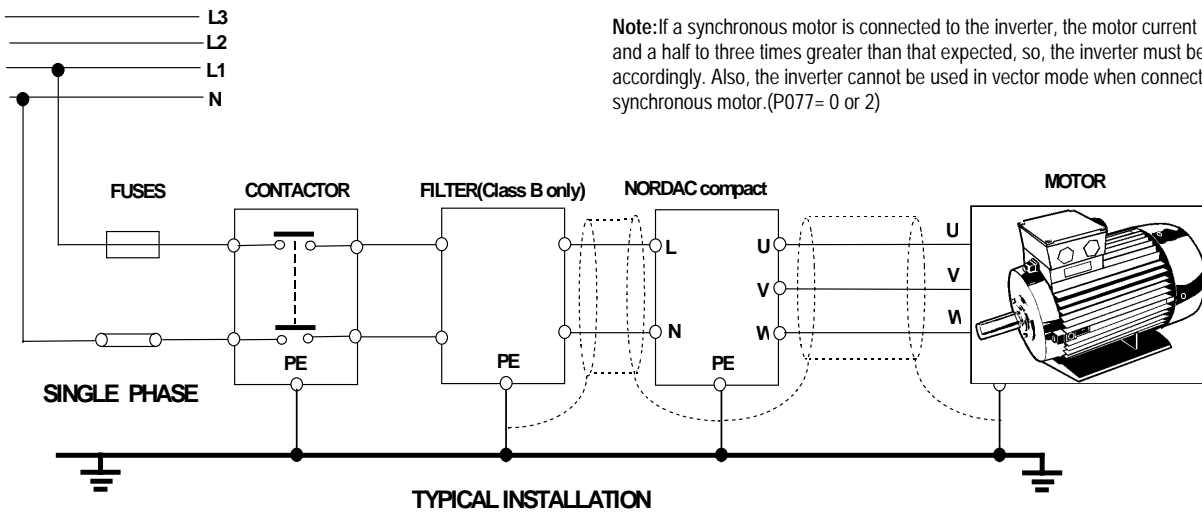


Figure 3: NORDAC compact Connectors - Frame Size A



WARNING

Make sure that the input power supply is isolated before making or changing any connections to the unit.

Ensure that the motor is configured for the correct supply voltage. Single/three phase 230 V units must **not** be connected to a 400 V three phase supply.

When synchronous machines are connected or when coupling several motors in parallel, the inverter must be operated with voltage/frequency control characteristic (P077= 0 or 2) and slip compensation must be disabled (P071 = 0).

Note: This equipment is suitable for use in a circuit capable of delivering not more than 100,000 symmetrical amperes (rms), for a maximum voltage of 230 / 460 V * when protected by a time delay fuse *. * As detailed in section 7

- *Frame size A:* the power terminals are directly available beneath the inverter. For the control terminals lift the flap in the front cover of the inverter.
- *Frame size B:* use a small bladed screwdriver (as shown in Figure 4) to release the terminal cover of the inverter and allow it to swing down to hang beneath the inverter.
- *Frame size C:* use a small bladed screwdriver (as shown in Figure 5) to release the gland plate and the fan housing; allow them both to swing down to hang beneath the inverter.

Connect the cables to the power and control terminals in accordance with the information supplied in this section. Ensure that the leads are connected correctly and the equipment is properly earthed.



CAUTION

The control, power supply and motor leads **must** be laid separately. They must **not** be fed through the same cable conduit/trunking.

High voltage insulation test equipment must **not** be used on cables connected to the inverter.

Use screened cable for the control cable, Class 1 60/75°C copper wire only. Tightening torque for the field wiring terminals is 1.1 Nm.

A small bladed screwdriver, max. 3.5 mm will be required to operate the control terminal WAGO cable clamp connectors as shown in Figure 5.

To tighten up the power and motor terminal screws use a 4 - 5 mm cross-tip screwdriver.

When all power and control connections are complete:

- *Frame size A:* lower the flap in the front cover of the inverter.
- *Frame size B:* lift and secure the terminal cover to the inverter.
- *Frame size C:* lift and secure the gland plate and the fan housing to the inverter.

2.2.1 Power and Motor Connections - NORDAC compact - Frame Size A

1. Ensure that the power source supplies the correct voltage and is designed for the necessary current (see Section 7). Ensure that the appropriate circuit-breakers with the specified current rating are connected between the power supply and inverter (see Section 7).
2. Connect the power input directly to the power terminals L/L1 - N/L2 (1 phase) or L/L1, N/L2, L3 (3 phase), and earth (PE) as shown in Figure 3, using a 3-core cable for single phase units or a 4-core cable for three phase units. For the cross-section of each core see Section 7.
3. Use a 4-core screened cable to connect the motor. The cable is connected to the motor terminals U, V, W and the earth (PE) (shown in Figure 3).

Note: Motor cable lengths vary depending on type of cable, power rating and voltage rating - and in some cases can be as long as 200m without the need for additional chokes. Refer to DA64 catalogue for further details. Minimum cable length is 25m for screened cable or if the cable channel is well screened. Minimum cable length is 50m for unscreened cables.

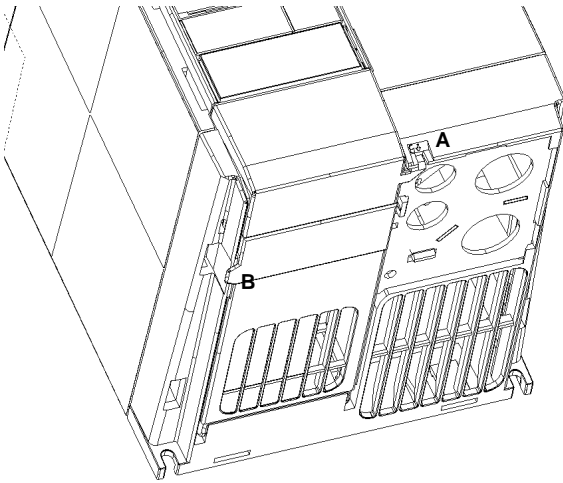
4. If required, secure Faston connectors to the braking resistor leads and fit the connectors to the B+/DC+ and B- terminals at the rear of the inverter.

Note: These connections have to be made with the inverter dismantled from the mounting surface. Care must be taken routing the leads through the moulded clips to prevent trapping and chafing when the unit is mounted and secured to the selected surface.

5. Connect the control leads as shown in Figures 6 and 8, section 2.2.4 and 2.2.6.

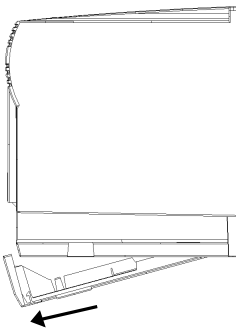
2.2.2 Power and Motor Connections - NORDAC compact - Frame Size B

The terminal arrangement for frame size B is similar to frame size A (see Figure 3). Refer to Figures 3, 4, 4A and 4B and proceed as follows:



1. Insert the blade of a small screwdriver into slot A in the front of the inverter and press in the direction of the arrow. At the same time, press down on tab B at the side of the access panel.

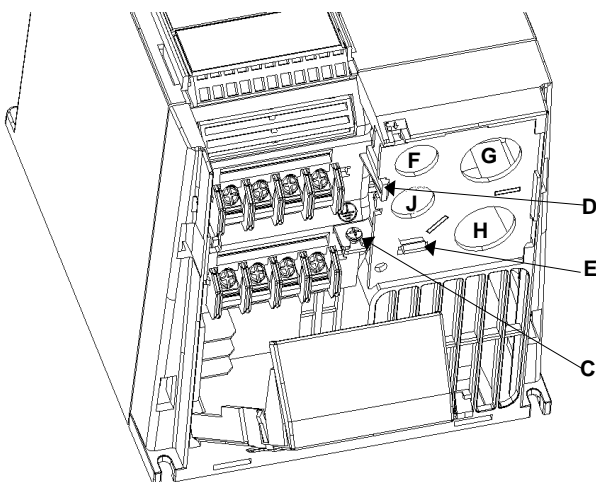
Figure 4: Power Connections Access Diagram - Frame Size B



2. This will release the access panel, which will then swing down on its rear-mounted hinges.

Note: The access panel can be removed from the inverter when at an angle of approximately 30° to the horizontal. If allowed to swing lower, the panel will remain attached to the inverter.

Figure 4A: Removal of Terminal Cover- Frame Size B



3. Remove the earthing screw C from the gland plate.
4. Press both release catches D and E to release the gland plate and then remove the metal gland plate from the inverter.

F:- Control cable input
 G: Mains cable input
 H: Motor cable output
 J: Braking resistor/ DC link cable input

Figure 4B: Removal of Gland Plate- Frame Size B

5. Ensure that the power source supplies the correct voltage and is designed for the necessary current (see *Section 7*). Ensure that the appropriate circuit-breakers with the specified current rating are connected between the power supply and inverter (see *Section 7*).
 6. For the power input, use a 3-core cable for single phase units or a 4-core cable for three phase units. For the cross-section of each core(see *Section 7*).
 7. Use a 4-core screened cable to connect the motor.
 8. Carefully measure and cut the cable leads for power connections, motor connections and braking resistor connections (if required) before feeding the screened cables through the glands in the metal gland plate provided (see *Figure 4B*) and securing the glands.
 9. Carefully measure and cut the cable leads for the control connections (if required). Feed the control cable through the correct gland (see *Figure 4B*) and secure the gland to the metal gland-plate.
 10. Carefully feed the power and control leads through the correct holes in the inverter housing.
 11. Secure the metal gland plate to the underside of the inverter. Fit and tighten the earth securing screw.
 12. Connect the power input leads to the power terminals L/L1 - N/L2 (1 phase) or L/L1, N/L2, L3 (3 phase), and earth (PE) (*shown in Figure 3*) and torque down the screws.
 13. Connect the motor leads to the motor terminals U, V, W and the earth (PE) (*shown in Figure 3*) and torque down the screws.
- Note:** The total length of the motor cable should not exceed 50 m. If a screened motor cable is used or if the cable channel is well grounded, the maximum length should be 25 m. Cable lengths up to 200 m are possible by using additional output chokes or de-rating the inverter.
14. If required, secure Faston connectors to the braking resistor leads and fit the connectors to the B+/DC+ and B- terminals under the inverter.
 15. Connect the control leads as shown in *Figures 6 and 8*, section 2.2.4 and 2.2.6.

2.2.3 Power and Motor Connections - NORDAC compact - Frame Size C

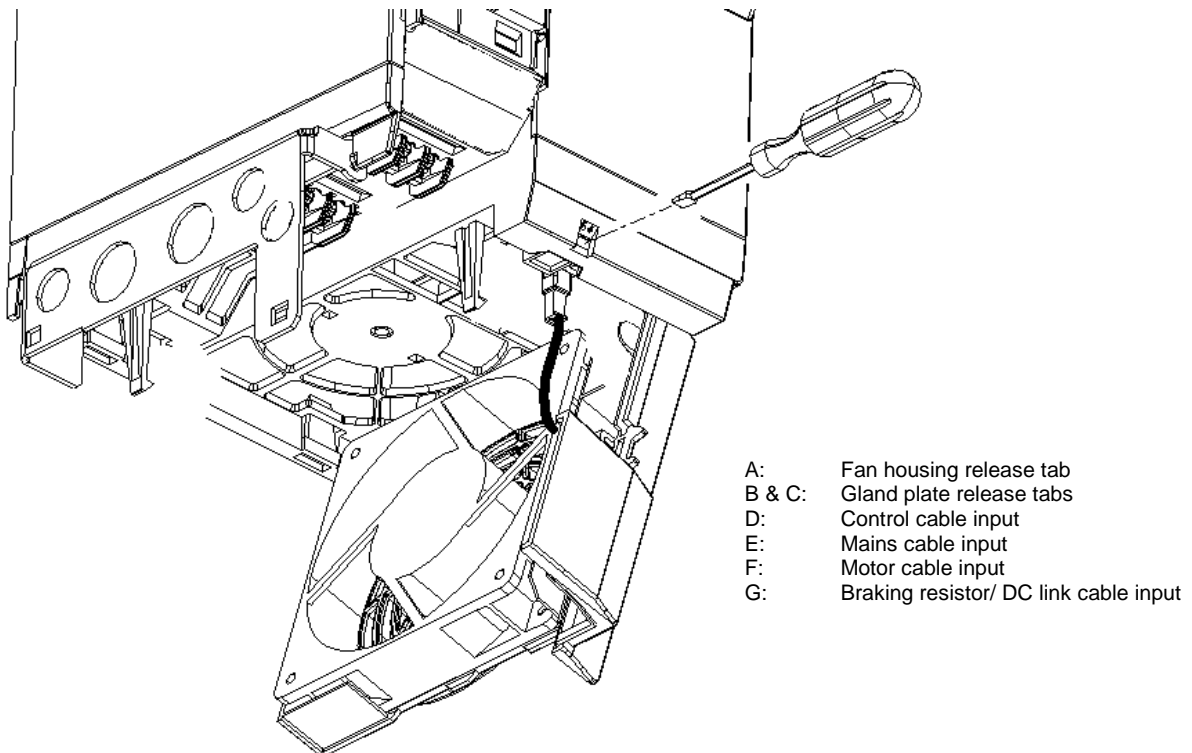


Figure 5: Power Connections Access Diagram - Frame Size C

The terminal arrangement for frame size C is similar to frame size A (see Figure 3).

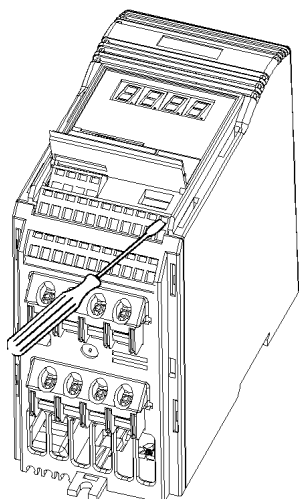
Refer to Figures 3 and 5 and proceed as follows:

1. While supporting the fan housing with one hand, insert the blade of a screwdriver into slot A on the underside of the inverter and press upwards to release the securing tab. Lower the fan housing, allowing it to swing out to the right on its side-mounted hinges.
2. Applying pressure to the gland plate release clips B and C in the direction of the arrows. Swing the plate out to the left on its side-mounted hinges.
3. Ensure that the power source supplies the correct voltage and is designed for the necessary current (see Section 7). Ensure that the appropriate circuit-breakers with the specified current rating are connected between the power supply and inverter (see Section 7).
4. For the power input, use a 3-core cable for single phase units or a 4-core cable for three phase units. For the cross-section of each core see Section 7.
5. Use a 4-core cable to connect the motor.
6. Carefully measure and cut the cable leads for power connections, motor connections and braking resistor connections (if required) before feeding the screened cables through the glands in the metal gland plate and securing the glands.
7. Carefully measure and cut the cable leads for the control connections (if required). Feed the control cable through the correct gland and secure the gland to the metal gland-plate.
8. Connect the power input leads to the power terminals L/L1 - N/L2 (1 phase) or L/L1, N/L2, L3 (3 phase), and earth (PE) (shown in Figure 3) and torque down the screws.
9. Connect the motor leads to the motor terminals U, V, W and the earth (PE) (shown in Figure 3) and torque down the screws.

Note: The total length of the motor cable should not exceed 50 m. If a screened motor cable is used or if the cable channel is well grounded, the maximum length should be 25 m. Cable lengths up to 200 m are possible by using additional output chokes or de-rating the inverter.

10. If required, secure Faston connectors to the braking resistor leads and fit the connectors to the B+/DC+ and B- terminals under the inverter.
11. Connect the control leads as shown in Figures 6 and 8, section 2.2.4 and 2.2.6

2.2.4 Control Connections



Insert small blade screwdriver (max. 3.5 mm) as shown, while inserting control wire from below. Withdraw the screwdriver to secure the wire.

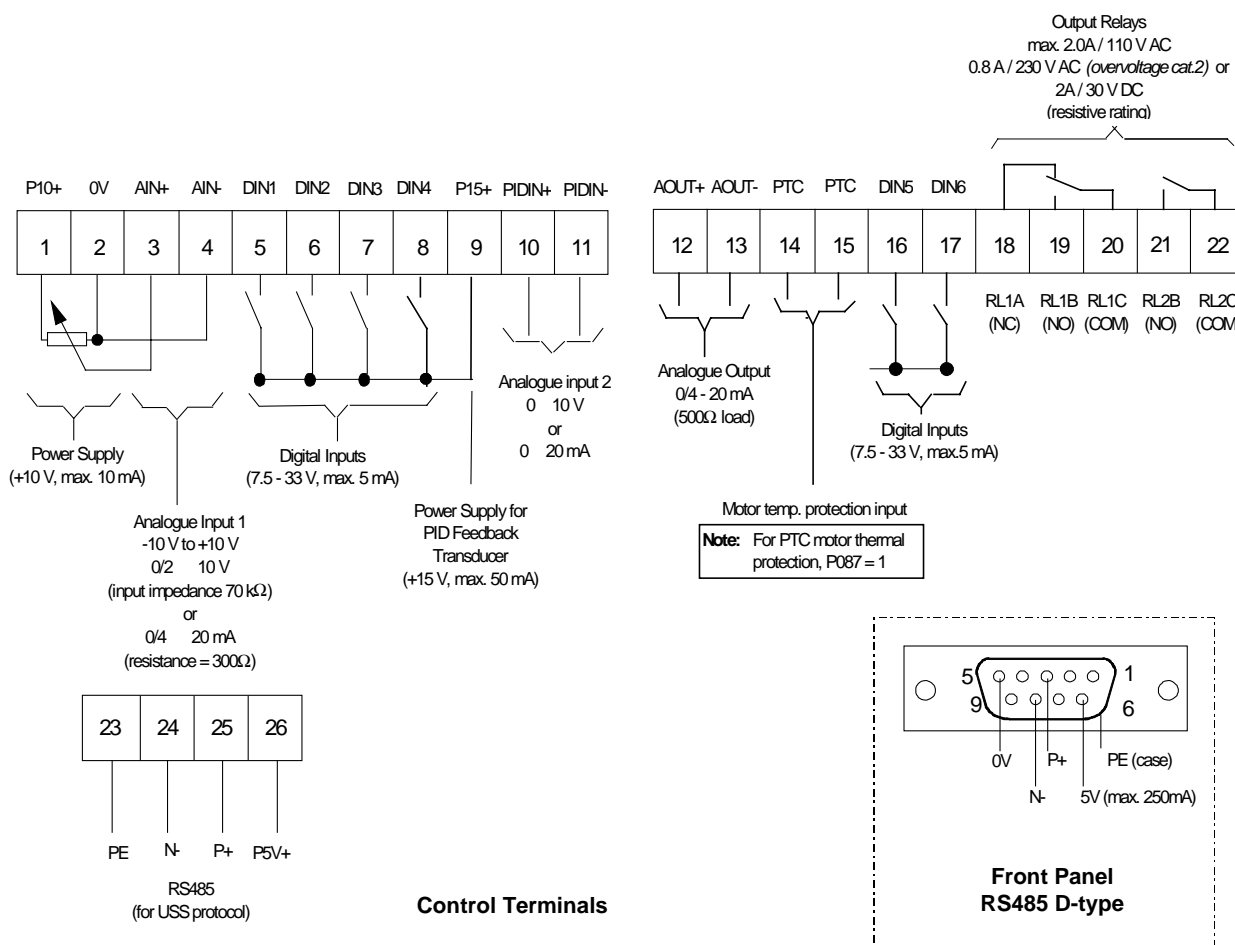


Figure 6: Control Connections - NORDAC compact

Note: Do not use the internal RS485 connections (terminals 24 and 25) if you intend using the external RS485 connection on the front panel [e.g. to connect a Clear Text Display (CBV)].

DIP switches select between voltage (V) and current (I) analogue inputs and also select either a voltage or current PID feedback signal (see Figure 10: DIP Selector Switches). These switches can only be accessed when the flap in the the front cover is raised(see Figure 3).

2.2.5 Motor Overload Protection

When operated below rated speed, the cooling effect of fans fitted to the motor shaft is reduced. so that most motors require de-rating for continuous operation at low frequencies. To ensure that motors are protected against overheating under these conditions it is strongly recommended that a PTC temperature sensor is fitted to the motor and connected to the inverter control terminals as shown in Figure 7.

Note: To enable the motor overload protection trip function, set parameter P087=1

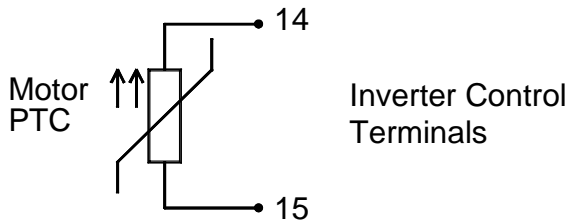


Figure 7: Motor Overload PTC Connection.

2.2.6 Block Diagram

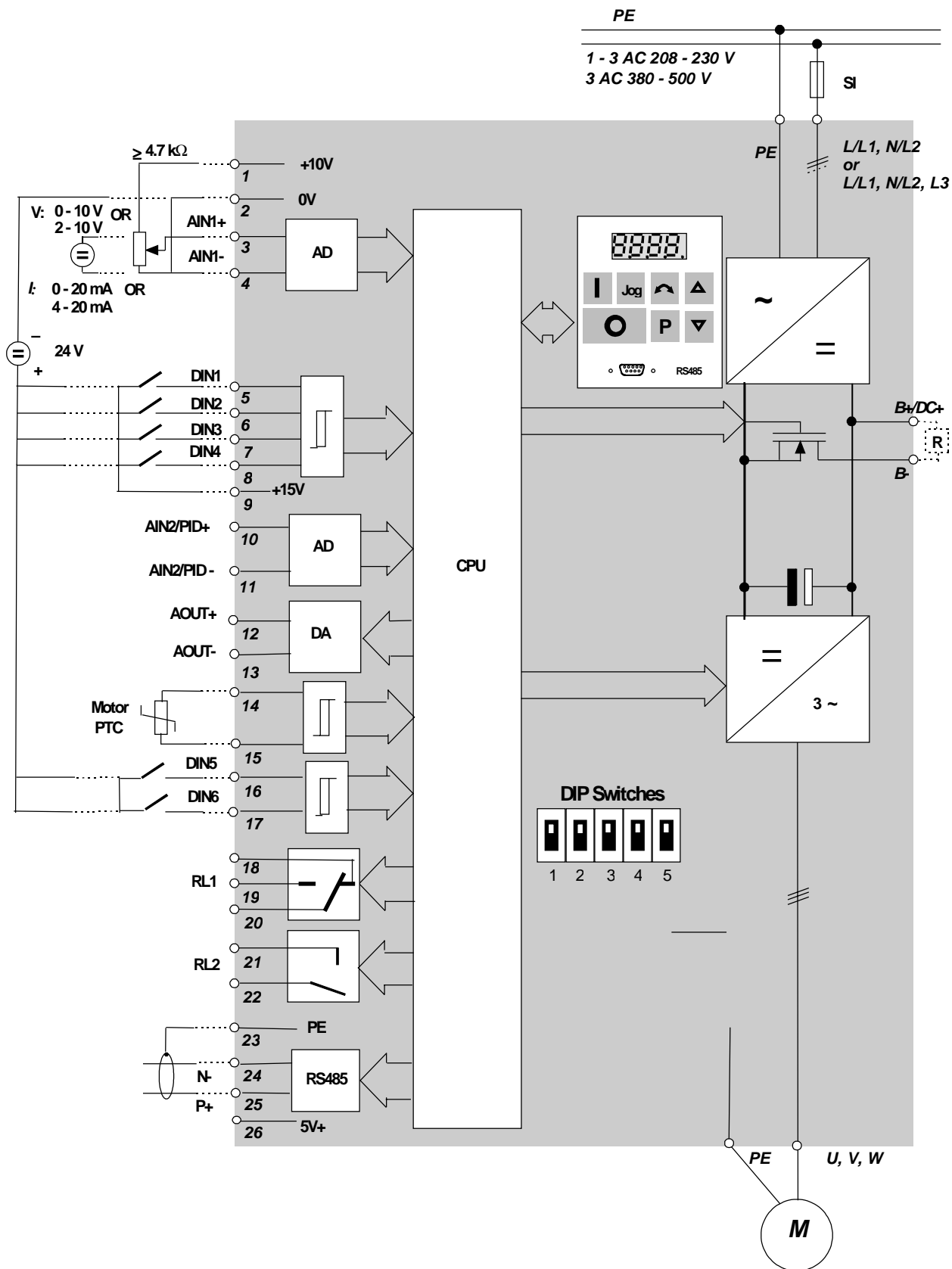



Figure 8 Block Diagram - NORDAC compact

3. CONTROLS & BASIC OPERATION

3.1 Controls

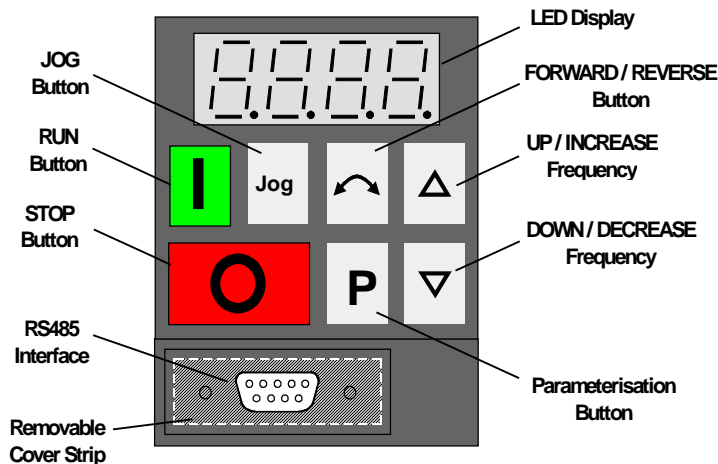


CAUTION

The digital frequency setpoint has been set at 5.00 Hz in the factory. It is not necessary to enter a frequency setpoint via the Δ button or parameter P005 in order to test that the motor turns following a RUN command.

All settings must be entered by qualified personnel, paying particular attention to the safety precautions and warnings.

The parameter settings required can be entered using the three parameterisation buttons (**P**, Δ and ∇) on the front panel of the inverter. The parameter numbers and values are indicated on the four digit LED display.




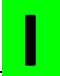


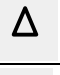



	Pressing this button while the inverter is stopped causes it to start and run at the preset jog frequency. The inverter stops as soon as the button is released. Pressing this button while the inverter is running has no effect. Disabled if P123 = 0.
	Press to start the inverter. Disabled if P121 = 0.
	Press to stop the inverter. Press once for an OFF1 (see Section 4.4). Press twice (or hold down) for an OFF2 (see Section 4.4) to immediately remove voltage from the motor allowing the motor to coast to a halt without ramp-down.
LED Display	Displays frequency (default), parameter numbers or parameter values (when P is pressed) or fault codes.
	Press to change the direction of rotation of the motor. REVERSE is indicated by a minus sign (values <100) or the left decimal point flashing (values > 100). Disabled if P122 = 0
	Press to INCREASE frequency. Used to change parameter numbers or values to higher settings during the parameterisation procedure. Disabled if P124 = 0.
	Press to DECREASE frequency. Used to change parameter numbers or values to lower settings during the parameterisation procedure. Disabled if P124 = 0.
	Press to access parameters. Disabled if P051 - P055 or P356 = 14 when using digital inputs.
	Flashing segment showing selection of analogue input 2 via digital input i.e. P051 - 55, P356 = 24

Figure 9: Front Panel

3.1.2 DIP Selector Switches

The five DIP selector switches have to be set in agreement with P023 or P323 according to the operation of the inverter. Figure 10 below, shows the settings of the switches for the different modes of operation.

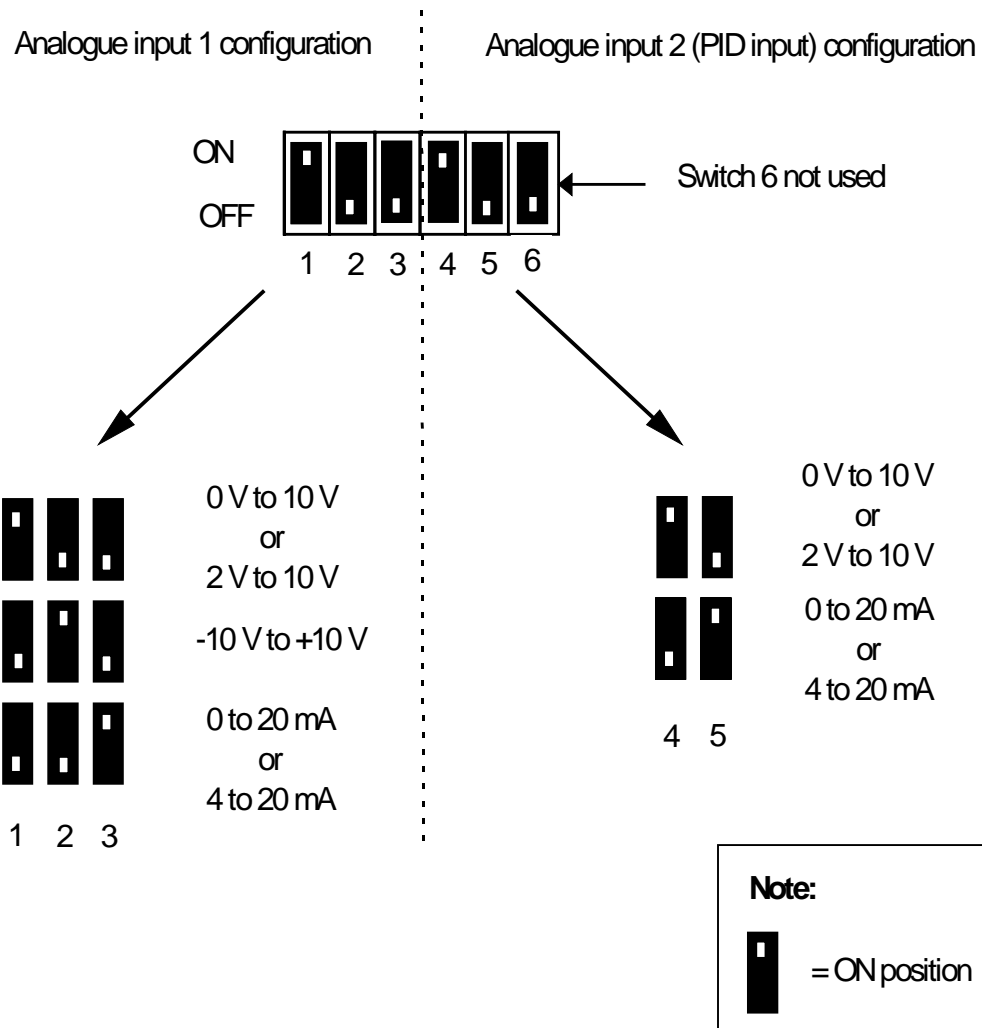


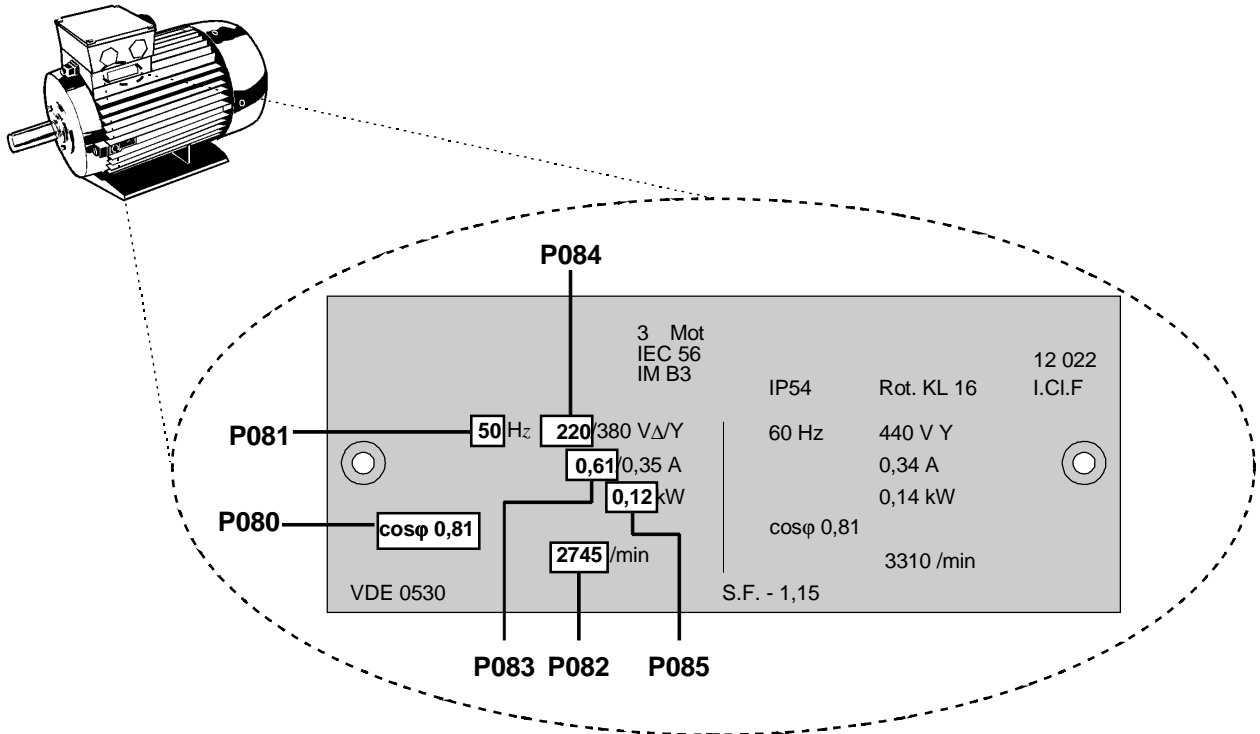
Figure 10. DIP Selector Switches

3.2 Basic Operation

Refer to Section 5 for a full description of each parameter.

3.2.1 General

- (1) The inverter does not have a main power switch and is therefore live when the mains supply is connected. It waits with the output disabled until the RUN button is pressed or for the presence of a digital ON signal via terminal 5 (rotate right- default) or terminal 6 (rotate left- default) - see *parameters P051 to P055 and P356*.
- (2) If output frequency (P001 = 0) is selected as the display, the corresponding setpoint is flashed on the display approximately every 1.5 seconds while the inverter is stopped.



- (3) The inverter is programmed at the factory for standard applications on NORD standard motors. When using other motors it is necessary to enter the specifications from the motor's rating plate into parameters P080 to P085 (see Figure 11). **Note: Access to these parameters is not possible unless P009 = 002 or 003.**

Figure 11: Typical Motor Rating Plate Example

Note: Ensure that the inverter is configured correctly to the motor, i.e. in the above example delta terminal connection is for 220 V.

3.2.2 Initial Testing

1. Check that all cables have been connected correctly (see *section 2*) and that all relevant product and plant/location safety precautions have been complied with.
2. Apply mains power to the inverter.
3. Ensure that it is safe to start the motor. Press the RUN button on the inverter. The display will change to **5.0** and the motor shaft will begin to turn. It will take 1 second for the inverter to ramp-up to 5 Hz.
4. Check that the motor rotates in the direction required. Press the FORWARD / REVERSE button if necessary.
5. Press the Stop button. The display will change to **0.0** and the motor will slow down, achieving a complete stop after 1 second.

3.2.3 Basic Operation - 10 Step Guide

The basic method of setting up the inverter for use is described below. This method uses a digital frequency setpoint and requires only the minimum number of parameters to be changed from their default settings. It assumes that a standard Getriebebau NORD four-pole motor is connected to the inverter (see Section 3.2.1 if another motor type is being used).

Step/Action	Button	Display
1. Apply mains power to the inverter. The display will alternate between the actual frequency (0.0 Hz) and the requested frequency setpoint (5.0 Hz default).		
2. Press the parameterisation button.		
3. Press the Δ button until parameter P005 is displayed.		
4. Press P to display the present frequency setpoint (5 Hz is the factory default setting).		
5. Press the Δ button to set the desired frequency setpoint (e.g. 35 Hz).		
6. Press P to lock the setting into memory.		
7. Press the ∇ button to return to P000.		
8. Press P to exit the parameterisation procedure. The display will alternate between the present output frequency and the frequency setpoint.		
9. Start the inverter by pressing the RUN button. The motor shaft will start to turn and the display will show that the inverter is ramping up to the setpoint of 35 Hz. Note The setpoint will be achieved after 7 seconds (default ramp-up time, defined by P002 is 10s to reach 50 Hz (default maximum motor frequency, P013)). If required, the motor's speed (i.e. frequency) can be varied directly by using the Δ ∇ buttons. (Set P011 to 001 to enable the new frequency setting to be retained in memory during periods when the inverter is not running.)		
10. Switch the inverter off by pressing the STOP button. (see Section 4.4) The motor will slow down and come to a controlled stop Note Full stop will be achieved after 7 seconds (default ramp-down time, defined by P003 is 10 s from 50 Hz (default value P013)).		

4. OPERATING MODES

4.1 Digital Control

For a basic start-up configuration using digital control, proceed as follows:

- (1) Connect control terminal 9 to terminal 5 via a simple on/off switch. This sets up the inverter for clockwise rotation of the motor shaft (default).
- (2) Secure all covers to the unit and then apply mains power to the inverter. Set parameter P009 to 002 or 003 to enable all parameters to be adjusted.
- (3) Check that parameter P006 is set to 000 to specify digital setpoint.
- (4) Set parameter P007 to 000 to specify digital input (i.e. DIN1, terminal 5 in this case) and disable the front panel controls.
- (5) Set parameter P005 to the desired frequency setpoint.
- (6) Set parameters P080 to P085 in accordance with the rating plate on the motor (see Figure 11).

Note: The inverter may be operated in Sensorless Vector Control or V/f control modes. (see Sect. 4.3)

- (7) Set the external on/off switch to ON. The inverter will now drive the motor at the frequency set by P005.

4.2 Analogue Control

For a basic start-up configuration using analogue voltage control, proceed as follows:

- (1) Connect control terminal 9 to terminal 5 via a simple on/off switch. This sets up the motor for clockwise rotation (default).
- (2) Connect a 4.7 k Ω potentiometer to the control terminals as shown in Figures 6 and 8 or connect pin 2 (0V) to pin 4 and a 0 - 10 V signal between pin 2 (0V) and pin 3 (AIN+).
- (3) Set the Analogue Input 1 Configuration DIP selector switches 1, 2 and 3 for voltage (V) input. (see Figure 10, Section 3.1.2)
- (4) Secure all covers to the unit and then apply mains power to the inverter. Set parameter P009 to 002 or 003 to enable all parameters to be adjusted.
- (5) Set parameter P006 to 001 to specify analogue setpoint.
- (6) Set parameter P007 to 000 to specify digital input [i.e. DIN1 (terminal 5) in this case] and disable the front panel controls.
- (7) Set parameters P021 and P022 to specify the minimum and maximum output frequency settings.
- (8) Set parameters P080 to P085 in accordance with the rating plate on the motor (see Figure 11).

Note: The inverter may be operated in Sensorless Vector Control or V/f control modes. (see Section 4.3)

- (9) Set the external on/off switch to ON. Turn the potentiometer (or adjust the analogue input control voltage) until the desired frequency is displayed on the inverter.

4.3 Operating Modes

4.3.1 Sensorless Vector Control Operation

The NORDAC compact inverter units automatically calibrate to the characteristics of the installed motor when the inverter is initially parameterised for vector operation during commissioning.

This occurs at the time that the inverter receives its first run command, provided that the inverter has previously been set to Vector mode (P077=3) or set for stator resistance calibration (P088=1).

If the run command is given via a digital input, this input must be maintained high for at least 5 seconds so that the inverter has enough time to successfully complete its calibration procedure.

The display indicates calibration (CAL) for a few seconds (the motor shaft will not turn) followed by normal run operation when the inverter will automatically ramp-up to run at the frequency set in P005.

A re-calibration is forced by switching out of Vector mode (P077= 0,1 or 2) and then returning back to Vector mode (P077=3) or by setting the stator resistance calibration (P088 to 1). Note that P088 returns to zero upon successful calibration.

Adjustment of P386 will optimise the dynamic performance of the vector control. In general, the optimum setting of P386 will be proportional to the load inertia; i.e. low values of P386 corresponds to low inertia loads and high values of P386 to high inertia loads. Setting this value too high or too low can cause instability

Note: The JOG button will not invoke an automatic Stator Resistance calibration.

It is important to:

- accurately set up the motor nameplate parameters (P080 to P085) before running the inverter in Vector mode for the first time.
- ensure that the motor is **COLD** during calibration. The internal control system automatically allows for motor temperature increases over time but it is vital that the initial condition is a cold motor.
- If at any time the inverter is switched from a non-Vector mode to a Vector mode then ensure that the motor is cold before running since this transition forces a calibration.
- The 'start on the fly feature' is performed using the vector software algorithm even if the control mode used is non-vector (i.e. P077=0,1 or 2). Therefore it is necessary to accurately set up the motor nameplate parameters (P080 to P085) and perform a stator resistance calibration (P088=1) on a cold motor.
- P386 (Inertia gain parameter) should be set to optimize the dynamic system performance when in Vector mode.

4.3.2 V/f or FCC Operation (P077 = 0, 1 or 2)

In many cases, when default factory parameters are used, the default stator resistance set in P089 will generally suit the default power rating set in P085. Should the inverter and motor ratings differ, an automatic Stator Resistance calibration should be performed by setting P088 =1. Continuous Boost (P078) and Starting Boost (P079) are dependent on the value of Stator Resistance - too high a value may cause overcurrent trips or motor overheating.

4.4 Stopping the Motor

Stopping can be achieved in several ways:

- Cancelling the ON command on the terminals or pressing the OFF button (O) on the front panel causes the inverter to Ramp-down at the selected Ramp-down rate (see P003).
- OFF2 - operation causes the motor to coast to a standstill (parameters P051 to P055 or P356 set to 4).
- OFF3 - operation causes rapid braking (parameters P051 to P055 or P356 set to 5).
- DC injection braking up to 200% produces more effective braking to provide a quicker stop after cancellation of the ON command (see P073).
- Resistive braking (see parameter P075).
- Compound braking (see P066)

4.5 If the Motor Does Not Start Up

If the display shows a fault code, refer to Section 6.

If the motor does not start up when the ON command has been given, check that the ON command is valid, check if a frequency setpoint has been entered in P005 and check that the motor specifications have been entered correctly under parameters P080 to P085.

If the inverter is configured for operation via the front panel (P007 = 001) and the motor does not start when the RUN button is pressed, check that P121 = 001 (RUN button enabled).

If the motor does not run after parameters have been changed accidentally, reset the inverter to the factory default parameter values by setting parameter **P944** to **1** and then pressing **P**.

4.6 Local and Remote Control

The inverter can be controlled either locally (default), or remotely via a USS data line connected to the internal interface terminals (24 and 25) or to the RS485 D-type connector on the front panel. (Refer to parameter P910 in Section 5 for the available remote control options.)

When local control is used, the inverter can only be controlled via the front panel or the control terminals. Control commands, setpoints or parameter changes received via the RS485 interface have no effect.

For remote control, the serial interface is designed as a 2-wire connection for bi-directional data transmission. Refer to parameter P910 in Section 5 for the available remote control options.

Note: Only one RS485 connection is allowed. Use either the front panel D-type interface [e.g. to connect an Clear Text Display(CBV)] or terminals 24 and 25, **but not both**.

When operating via remote control the inverter will not accept control commands from the terminals. *Exception: OFF2 or OFF3 can be activated via parameters P051 to P055 and P356 (see Section 5).*

Several inverters can be connected to an external control unit at the same time. The inverters can be addressed individually.

Note: If the inverter has been set up to operate via the serial link but does not run when an ON command is received, try reversing the connections to terminals 24 and 25 .

4.7 Control

4.7.1 Motor Control

The NORDAC compact inverters have four different modes of operation which control the relationship between the voltage supplied by the inverter and the speed of the motor. The motor control mode of operation is selected at P077:

- Linear voltage/frequency which is used for synchronous motors or motors connected in parallel. (Each motor should be installed with a thermal overload relay if two or more motors are driven simultaneously by the inverter.)
- Flux Current Control (FCC) which is used to maintain full flux conditions in the motor.

Note: This mode can result in reduced power consumption.

- Quadratic voltage/frequency relationship which is used for pumps and fans.
- Sensorless Vector. The inverter calculates the changes required in output voltage to maintain the desired motor speed.

Note: This mode gives the best flux control and higher torque.

4.7.2 PID Process Control

Together with open loop motor control, PID closed loop process control can be applied to any process which is a function of motor speed and for which a transducer is available to provide a suitable feedback signal (see *Figure 12*). When closed loop process control is enabled (P201 = 001), all setpoints are calibrated between zero and 100%, i.e. a setpoint of 50.0 = 50%.

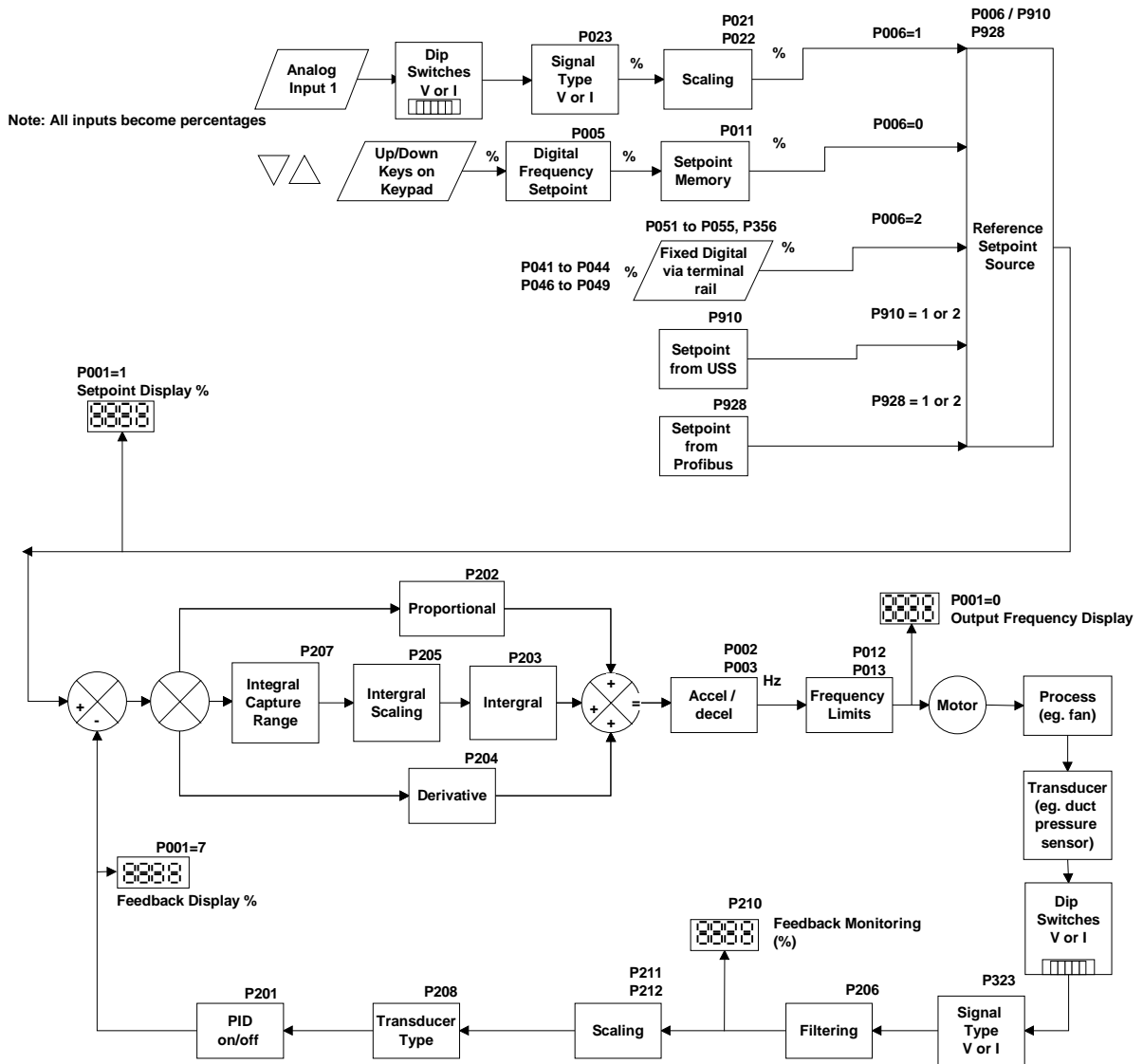


Figure 12: Closed Loop Process Control

4.7.3 Hardware Set-up

Make sure that the DIP selector switches 4 and 5 are correctly set (see Figure 10) and in agreement with P323 for unipolar voltage or current feedback signal inputs. Connect the external feedback transducer between control terminals 10 and 11 (analogue input 2). This analogue input accepts a 0/2 - 10 V or a 0/4 - 20 mA input signal (determined by the setting of the DIP selector switches 4 and 5 and P323), has 10-bit resolution and permits a differential (floating) input. Make sure that the values of parameters P006 and P024 are set to 000. 15 V dc power for the feedback transducer can be supplied from terminal 9 on the control block.

4.7.4 Parameter Settings

Closed loop process control cannot be used unless P201 is first set to 001. Most of the parameters associated with closed loop process control are shown in Figure 12. Other parameters which are also associated with closed loop process control are as follows:

P010 (only if P001 = 1, 4, 5, 7 or 9)

P061 (value = 012 or 013)

P220

Descriptions of all closed loop process control parameters are provided in Section 5.

5. SYSTEM PARAMETERS

Parameters can be changed and set using the keypad on the front panel (see Figure 9 in Section 3) to adjust the desired properties of the inverter, such as ramp times, minimum and maximum frequencies, etc. The parameter numbers selected and the setting of the parameter values are indicated on the four digit LED display.

Note: If the Δ or ∇ button is pressed momentarily, the values change step by step. If the button is pressed for a longer time, the values scroll through rapidly.

Access to parameters is determined by the value set in P009. Make sure that the key parameters necessary for the application have been programmed.

Note: In the following parameter table:

- '•' Indicates parameters that can be changed during operation.
- '☆☆☆' Indicates that the value of this factory setting depends on the rating of the inverter.

To increase the resolution to 0.01 when changing frequency parameters, instead of pressing P momentarily to return to the parameter display, keep the button pressed until the display changes to '- .n0' (n = the current tenths value, e.g. if the parameter value = '055.8' then n = 8). Press Δ or ∇ to change the value (all values between .00 and .99 are valid) and then press P twice to return to the parameter display.

If parameters are changed accidentally, all parameters can be reset to their default values by setting parameter **P944** to **1** and then pressing **P**.

Parameter	Function	Range [Default]	Description / Notes
-----------	----------	-----------------	---------------------

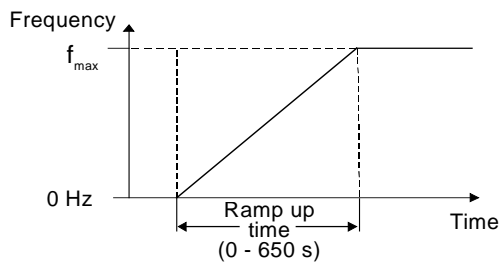
P000 Operating display - This displays the output selected in P001.
 In the event of a failure, the relevant fault code (Fnnn) is displayed (see Section 6) or the display flashes in the event of a warning (see P931) or If output frequency has been selected (P001 = 0) and the inverter is in stand-by mode, the display alternates between the setpoint frequency and the actual output frequency which is zero Hz.

P001 ● Display mode 0 - 9 [0] Display selection:
 0 = Output frequency (Hz)
 1 = Frequency setpoint (i.e. speed at which inverter is set to run)(Hz)
 2 = Motor current (A)
 3 = DC-link voltage (V)
 4 = Motor torque (% nominal)
 5 = Motor speed (rpm)
 6 = USS serial bus status (see Section 8.2)
 7 = PID Feedback signal (%)
 8 = Output voltage (V)
 9 = Instantaneous rotor / shaft frequency (Hz).
Note: Applicable only for Sensorless Vector control mode.

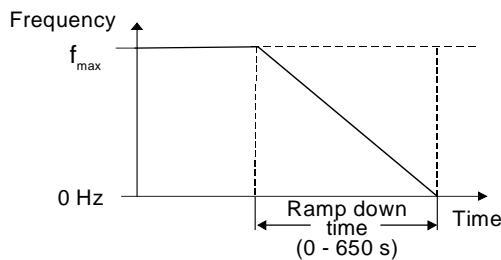
- Notes:**
1. The display can be scaled via P010.
 2. When the inverter is operating in Sensorless Vector Control mode (P077 = 3) the display shows actual **rotor / shaft** speed in Hz. When the inverter is operating in V/f or FCC modes (P077 = 0, 1 or 2) the display shows **inverter** output frequency in Hz.

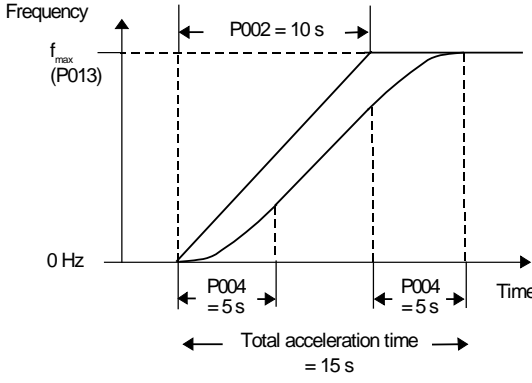
WARNING: In Sensorless Vector Control mode (P077 = 3) the display shows 50Hz when a 4-pole motor is rotating at 1500rpm which may be slightly higher than the nominal speed shown on the motor rating plate.

P002 ● Ramp-up time (seconds) 0 - 650.00 [10.00] This is the time taken for the motor to accelerate from standstill to the maximum frequency as set in P013. Setting the Ramp-up time too short can cause the inverter to trip (fault code F002 - overcurrent).



P003 ● Ramp-down time (seconds) 0 - 650.00 [10.00] This is the time taken for the motor to decelerate from maximum frequency (P013) to standstill. Setting the Ramp-down time too short can cause the inverter to trip (fault code F001 -DC Link overvoltage). This is also the period for which DC injection braking is applied when P073 is selected.

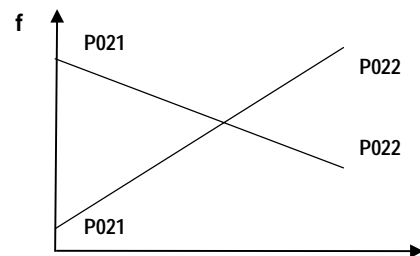


Parameter	Function	Range [Default]	Description / Notes
P004	● Smoothing (seconds)	0 - 40.0 [0.0]	<p>Used to smooth the acceleration/deceleration of the motor (useful in applications where it is important to avoid 'jerking', e.g. conveyor systems, textiles, etc.).</p> <p>Smoothing is only effective if the Ramp-up and/or down time exceeds 0.3 s.</p> 
P005	● Digital frequency setpoint (Hz)	0 - 650.00 [5.00]	Sets the frequency that the inverter will run at when operated in digital mode. Only effective if P006 = 0 or 3.
P006	Frequency setpoint source selection	0 - 3 [0]	<p>Selects the mode of control of the frequency setpoint for the inverter.</p> <p>0 = Digital motorised potentiometer. The inverter runs at the frequency set in P005 and can be controlled with the Δ and ∇ pushbuttons (motorised potentiometer). Alternatively, if P007 is set to zero, the frequency may be increased or decreased by setting any two of the digital inputs (P051 to P055 or P356) to values of 11 and 12.</p> <p>1 = Analogue. Control via analogue input signal.</p> <p>2 = Fixed frequency. Fixed frequency is only selected if the value of at least one of the digital inputs (P051 to P055 or P356) = 6 or 17.</p> <p>3 = Digital setpoint addition. Requested frequency = digital frequency (P005) + fixed frequencies (P041 to P044, P046 to P049) as selected.</p> <p>Notes: (1) If P006 = 1 and the inverter is set up for operation via the serial link, the analogue inputs remain active. (2) Motorised potentiometer setpoints via digital inputs are stored upon power-down when P011 = 1.</p>
P007	Keypad control	0 - 1 [1]	<p>0 = RUN, JOG and REVERSE are disabled. Control is via digital inputs (<i>see parameters P051 - P055 and P356</i>). Δ and ∇ may still be used to control frequency provided that P124 = 1 and a digital input has not been selected to perform this function.</p> <p>1 = Front panel buttons can be selectively enabled or disabled depending on the setting of parameters P121 - P124. The digital inputs for RUN, JOG and increase/decrease frequency are disabled.</p>
P009	● Parameter protection setting	0 - 3 [0]	<p>Determines which parameters can be adjusted:</p> <p>0 = Only parameters from P001 to P009 can be read/set.</p> <p>1 = Parameters from P001 to P009 can be set and all other parameters can only be read.</p> <p>2 = All parameters can be read/set but P009 automatically resets to 0 when power is removed.</p> <p>3 = All parameters can be read/set.</p>

Parameter	Function	Range [Default]	Description / Notes
P010	● Display scaling	0 - 500.00 [1.00]	Scale factor for display selected when P001 = 0, 1, 4, 5, 7 or 9.
P011	Frequency setpoint memory	0 - 1 [0]	0 = Disabled 1 = Enabled after switch-off. i.e. The setpoint alterations made with the Δ / ∇ buttons are stored even when power has been removed from the inverter.
P012	● Minimum motor frequency (Hz)	0 - 650.00 [0.00]	Sets the minimum motor frequency (must be less than the value of P013).
P013	● Maximum motor frequency (Hz)	0.01-650.00 [50.00]	Sets the maximum motor frequency. CAUTION: To maintain stable operation when in sensorless vector control mode (P077=3), the maximum motor frequency (P013), should not exceed 3x nominal rating plate motor frequency (P081).
P014	● Skip frequency 1 (Hz)	0 - 650.00 [0.00]	A skip frequency can be set with this parameter to avoid the effects of resonance of the inverter. Frequencies within +/- (the value of P019) of this setting are suppressed. Stationary operation is not possible within this suppressed frequency range - the range is just passed through. Setting P014=0 disables this function.
P015	● Automatic restart after mains failure.	0 - 1 [0]	Setting this parameter to '1' enables the inverter to restart automatically after a mains break or 'brownout', provided the external run/stop switch, connected to a digital input, is still closed, P007 = 0 and P910 = 0, 2 or 4. 0 = Disabled 1 = Automatic restart
P016	● Start on the fly	0 - 4 [0]	Allows the inverter to start onto a spinning motor. Under normal circumstances the inverter runs the motor up from 0 Hz. However, if the motor is still spinning or is being driven by the load, it will undergo braking before running back up to the setpoint - this can cause an overcurrent trip. By using a flying restart, the inverter 'homes in' on the motor's speed and runs it up from that speed to the setpoint. (Note: If the motor has stopped or is rotating slowly, some 'rocking' may occur as the inverter senses the direction of rotation prior to restarting.) 0 = Normal restart 1 = Flying restart after power up, fault or OFF2 (if P018 = 1). 2 = Flying restart every time (useful in circumstances where the motor can be driven by the load). 3 = As P016 = 1 except that the inverter will only attempt to restart the motor in the direction of the requested setpoint. The motor is prevented from 'rocking' backwards and forwards during the initial frequency scan. 4 = As P016 = 2 except that the inverter will only attempt to restart the motor in the direction of the requested setpoint. The motor is prevented from 'rocking' backwards and forwards during the initial frequency scan.

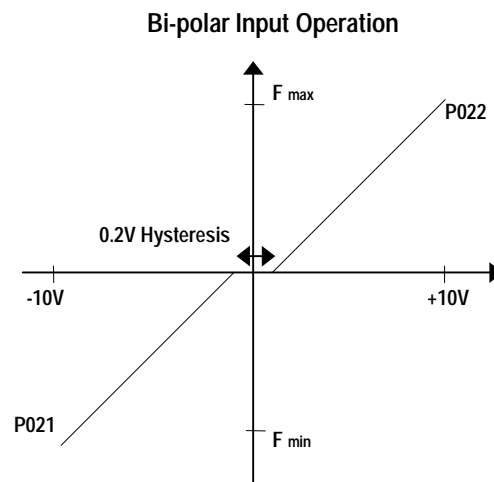
IMPORTANT: When P016 > 0, care must be taken to set up the motor nameplate data (parameters P080 to P085) and to perform an auto stator resistance calibration (P088=1) on a cold motor.

Parameter	Function	Range [Default]	Description / Notes
P017	● Smoothing type	1 - 2 [1]	<p>1 = Continuous smoothing (as defined by P004).</p> <p>2 = Discontinuous smoothing. This provides a fast unsmoothed response to STOP commands and requests to reduce frequency.</p> <p>Note: P004 must be set to a value > 0.0 for this parameter to have any effect.</p>
P018	● Automatic restart after fault	0 - 1 [0]	<p>Automatic restart after fault:</p> <p>0 = Disabled</p> <p>1 = The inverter will attempt to restart up to 5 times after a fault. If the fault is not cleared after the 5th attempt, the inverter will remain in the fault state. The display flashes during this condition.</p> <p>WARNING: While waiting to re-start, the display will flash. This means that a start is pending and may happen at any time. Fault codes can be observed in P930.</p>
P019	● Skip frequency bandwidth (Hz)	0.00 - 10.00 [2.00]	Frequencies set by P014, P027, P028 and P029 that are within +/- the value of P019 of all skip frequencies are suppressed.
P021	● Minimum analogue frequency (Hz)	0 - 650.00 [0.00]	Frequency corresponding to the lowest analogue input value, i.e. 0 V/0 mA or 2 V/4 mA, determined by P023 and the settings of the DIP selector switches 1, 2 and 3 (see Figure 10, Section 3.1.2). This can be set to a higher value than P022 to give an inverse relationship between analogue input and frequency output (see diagram in P022).
P022	● Maximum analogue frequency (Hz)	0 - 650.00 [50.00]	Frequency corresponding to the highest analogue input value, i.e. 10 V or 20 mA, determined by P023 and the setting of the DIP selector switches 1, 2 and 3 (see Figure 10, Section 3.1.2). This can be set to a lower value than P021 to give an inverse relationship between analogue input and frequency output. i.e.



Note: The output frequency is limited by values entered for P012/P013.

Parameter	Function	Range [Default]	Description / Notes
P023	● Analogue input 1 type	0 - 3 [0]	<p>Sets analogue input type for analogue input 1, in conjunction with the settings of the DIP selector switches 1, 2 and 3 (see Figure 10, Section 3.1.2):</p> <p>0 = 0 V to 10 V/ 0 to 20 mA Unipolar input 1 = 2 V to 10 V/ 4 to 20 mA Unipolar input 2 = 2 V to 10 V/ 4 to 20 mA Unipolar input with controlled start /stop when using analogue input control. 3 = -10V to +10V Bipolar input. -10V corresponds to left rotation at speed set in P021, +10V corresponds to right rotation at speed set in P022</p> <p>Note: Setting P023 = 2 will not work unless the inverter is under full local control (i.e. P910 = 0 or 4) and $V \geq 1$ V or 2mA. WARNING: The inverter will automatically start when voltage goes above 1V. This equally applies to both analogue and digital control (i.e. P006 = 0 or 1)</p>



P024	● Analogue setpoint addition	0 - 2 [0]	<p>If the inverter is not in analogue mode (P006 = 0 or 2), setting this parameter to:</p> <p>0 = No addition to basic setpoint frequency as defined in P006. 1 = Addition of analogue input 1 to the basic setpoint frequency as defined in P006) 2 = Scaling of basic setpoint (P006) by analogue input 1 in the range 0 -100%.</p>
-------------	------------------------------	--------------	---

Parameter	Function	Range [Default]	Description / Notes
-----------	----------	-----------------	---------------------

- P025** ● Analogue output 1
- 0 - 105
[0]
- This provides a method of scaling the analogue output 1 in accordance with the following table:
Use range 0 - 5 if minimum output value = 0 mA.
Use range 100 - 105 if minimum output value = 4 mA

P025 =	Selection	Analogue Output Range Limits	
		0/4 mA	20 mA
0/100	Output frequency	0 Hz	Output frequency (P013)
1/101	Frequency setpoint	0 Hz	Frequency setpoint (P013)
2/102	Motor current	0 A	Max. overload current (P083 x P086 / 100)
3/103	DC-link voltage	0 V	1023 Vdc
4/104	Motor torque	-250%	+250% (100% = P085 / P082 x 9.55 Nm)
5/105	Motor RPM	0	Nominal motor RPM (P082)
5/105	Motor RPM	0	Nominal motor RPM (P082)
6/106	Motor magnetising current	0 A	Max. overload current (P083 x P186 / 100)
7/107	Motor torque producing current (centre zero)	0 A Max regenerative torque	Max. overload current i.e. accelerating torque (P083 x P186 / 100)

- P027** ● Skip frequency 2 (Hz)
- 0 - 650.00
[0.00]
- See P014.

- P028** ● Skip frequency 3 (Hz)
- 0 - 650.00
[0.00]
- See P014.

- P029** ● Skip frequency 4 (Hz)
- 0 - 650.00
[0.00]
- See P014.

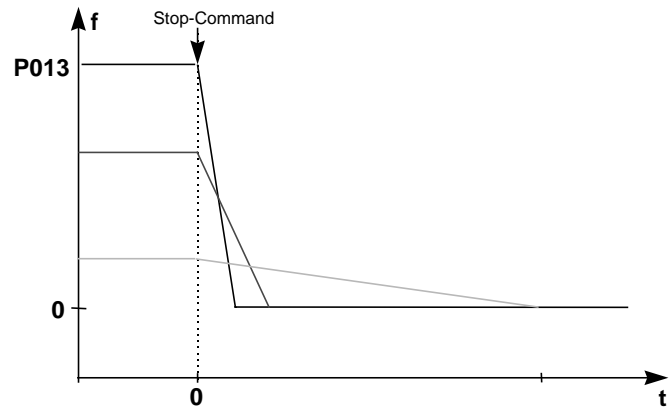
- P031** ● Jog frequency right (Hz)
- 0 - 650.00
[5.00]
- Jogging is used to advance the motor by small amounts. It is controlled via the JOG button or with a non-latching switch on one of the digital inputs (P051 to P055 and P356).
If jog right is enabled (DINn = 7), this parameter controls the frequency at which the inverter will run when the switch is closed. Unlike other setpoints, it can be set lower than the minimum frequency.

- P032** ● Jog frequency left (Hz)
- 0 - 650.00
[5.00]
- If jog left is enabled (DINn = 8), this parameter controls the frequency at which the inverter will run when the switch is closed. Unlike other setpoints, it can be set lower than the minimum frequency.

- P033** ● Jog Ramp-up time (seconds)
- 0 - 650.0
[10.0]
- This is the time taken to accelerate from 0 Hz to maximum frequency (P013) for jog functions. It is **not** the time taken to accelerate from 0 Hz to the jog frequency.
If DINn = 16 (see P051 to P055 and P356) then this parameter can be used to override the normal Ramp-up time set by P002.

Parameter	Function	Range [Default]	Description / Notes
P034	● Jog Ramp-down time (seconds)	0 - 650.0 [10.0]	This is the time taken to decelerate from maximum frequency (P013) to 0 Hz for jog functions. It is not the time taken to decelerate from the jog frequency to 0 Hz. If DINn = 16 (see P051 to P055 and P356) then this parameter can be used to override the normal Ramp-down time set by P003.

P040	● Positioning function	0 - 1 [0]	0 - Disabled 1 - Under normal operation the ramp-down time is defined as the time taken to ramp-down from the value set in P013 to 0. Setting P040 to 1 will automatically re-scale the ramp down time so that the motor will always stop in the same position regardless of operating frequency.
-------------	------------------------	--------------	--



e.g. P003 = 1s, P013 = 50Hz, P012 = 0Hz.

If the motor is running at 50Hz and a stop command applied, the motor will stop in 1second. If the motor is running at 25Hz, the motor will stop in 2 seconds and if the motor is running at 5Hz, the motor will stop in 10 seconds. In each case, the motor will stop at the same position.

P041	● Fixed frequency1 (Hz)	0 - 650.00 [5.00]	Valid if P006 = 2 and P055 = 6 or 18
P042	● Fixed frequency 2 (Hz)	0 - 650.00 [10.00]	Valid if P006 = 2 and P054 = 6 or 18
P043	● Fixed frequency 3 (Hz)	0 - 650.00 [15.00]	Valid if P006 = 2 and P053 = 6 or 18
P044	● Fixed frequency 4 (Hz)	0 - 650.00 [20.00]	Valid if P006 = 2 and P052 = 6 or 18.

Parameter	Function	Range [Default]	Description / Notes
-----------	----------	--------------------	---------------------

P045 Inversion fixed setpoints for fixed frequencies 1 - 4 0 - 7
[0] Sets the direction of rotation for the fixed frequency:

	FF 1	FF 2	FF 3	FF 4
P045 = 0				
P045 = 1	←			
P045 = 2		←		
P045 = 3			←	
P045 = 4				←
P045 = 5	←	←		
P045 = 6	←	←	←	
P045 = 7	←	←	←	←

Fixed setpoints not inverted.
← Fixed setpoints inverted.

P046	● Fixed frequency 5 (Hz)	0 - 650.00 [25.0]	Valid if P006 = 2 and P051 = 6 or 18..
P047	● Fixed frequency 6 (Hz)	0 - 650.00 [30.0]	Valid if P006 = 2 and P356 = 6 or 18.
P048	● Fixed frequency 7 (Hz)	0 - 650.00 [35.0]	Valid if P006 = 2.(see DIN Function table with P051- P055 and P356)
P049	● Fixed frequency 8 (Hz)	0 - 650.00 [40.0]	Valid if P006 = 2.(see DIN Function table with P051- P055 and P356)

P050 Inversion fixed setpoints for fixed frequencies 5 - 8 0 - 7
[0] Sets the direction of rotation for the fixed frequency:

	FF 5	FF 6	FF 7	FF 8
P050 = 0				
P050 = 1	←			
P050 = 2		←		
P050 = 3			←	
P050 = 4				←
P050 = 5	←	←		
P050 = 6	←	←	←	
P050 = 7	←	←	←	←

Fixed setpoints not inverted
← Fixed setpoints inverted

Parameter	Function	Range [Default]	Description / Notes			
P051	Selection control function, DIN1 (terminal 5), fixed frequency 5.	0 - 24 [1]	Value	Function of P051 to P055 and P356	Function, low state (0V)	Function, high state (>10V)
			0	Input disabled	-	-
P052	Selection control function, DIN2 (terminal 6), fixed frequency 4.	0 - 24 [2]	1	ON right	Off	On right
			2	ON left	Off	On left
			3	Reverse	Normal	Reverse
P053	Selection control function, DIN3 (terminal 7), fixed frequency 3. If set to 17, this enables the most significant bit of the 3-bit BCD (see table).	0 - 24 [6]	4	OFF2 (see Section 4.4)	OFF2	On
			5	OFF3 (see Section 4.4)	OFF3	On
			6	Fixed frequencies 1 - 6	Off	On
			7	Jog right	Off	Jog right
			8	Jog left	Off	Jog left
			9	Remote operation (P910 = 1 or 3)	Local	USS (Profibus)
			10	Fault reset	Off	Reset on rising edge
P054	Selection control function, DIN4 (terminal 8), fixed frequency 2. If set to 17, this enables the middle bit of the 3-bit BCD (see table).	0 - 24 [6]	11	Increase frequency *	Off	Increase
			12	Decrease frequency *	Off	Decrease
			13	Disable analogue input (setpoint)	Analogue ON	Analogue Disabled
			14	Disable the ability to change parameters	'P' enabled	'P' disabled
P055	Selection control function, DIN5 (terminal 16), fixed frequency 1. If set to 17, this enables the least significant bit of the 3-bit BCD (see table).	0 - 24 [6]	15	Enable dc brake	Off	Brake on
			16	Use jog ramp times instead of normal ramp times	Normal	Jog ramp times
			17	Binary fixed frequency control (fixed frequencies 1 - 8) **	Off	On
			18	Fixed frequencies 1-6, but input high will also request RUN when P007 = 0.	Off	On
			19	External trip	Yes (F012)	No
P356	Selection control function, DIN6 (terminal 17), fixed frequency 6.	0 - 24 [6]	20	Watchdog trip (see P057), (minimum pulse width = 20 ms) Note: The first Low-to-High transition initiates the Watchdog timer.		Low to High transition re-sets Watchdog timer
			22	Download parameter set 0 from CBV ***	Off	Download
			23	Download parameter set 1 from CBV ***	Off	Download
			24	Switch analogue setpoint	Analogue input 1 active.	Analogue input 2 active.

- Only effective when P007 = 0.
- ** Not available on P051, P052 or P356.
- *** The motor must be stopped before downloading begins. Downloading takes approx. 30 seconds.
- CBV = Optional Clear Text Display

Parameter	Function	Range [Default]	Description / Notes																																													
Binary Coded Fixed Frequency Mapping																																																
			<table border="1"> <thead> <tr> <th></th> <th>DIN3 (P053)</th> <th>DIN4 (P054)</th> <th>DIN5 (P055)</th> </tr> </thead> <tbody> <tr> <td>FF5 (P046)</td> <td>0</td> <td>0</td> <td>0</td> </tr> <tr> <td>FF6 (P047)</td> <td>0</td> <td>0</td> <td>1</td> </tr> <tr> <td>FF7 (P048)</td> <td>0</td> <td>1</td> <td>0</td> </tr> <tr> <td>FF8 (P049)</td> <td>0</td> <td>1</td> <td>1</td> </tr> <tr> <td>FF1 (P041)</td> <td>1</td> <td>0</td> <td>0</td> </tr> <tr> <td>FF2 (P042)</td> <td>1</td> <td>0</td> <td>1</td> </tr> <tr> <td>FF3 (P043)</td> <td>1</td> <td>1</td> <td>0</td> </tr> <tr> <td>FF4 (P044)</td> <td>1</td> <td>1</td> <td>1</td> </tr> </tbody> </table>		DIN3 (P053)	DIN4 (P054)	DIN5 (P055)	FF5 (P046)	0	0	0	FF6 (P047)	0	0	1	FF7 (P048)	0	1	0	FF8 (P049)	0	1	1	FF1 (P041)	1	0	0	FF2 (P042)	1	0	1	FF3 (P043)	1	1	0	FF4 (P044)	1	1	1									
	DIN3 (P053)	DIN4 (P054)	DIN5 (P055)																																													
FF5 (P046)	0	0	0																																													
FF6 (P047)	0	0	1																																													
FF7 (P048)	0	1	0																																													
FF8 (P049)	0	1	1																																													
FF1 (P041)	1	0	0																																													
FF2 (P042)	1	0	1																																													
FF3 (P043)	1	1	0																																													
FF4 (P044)	1	1	1																																													
<p>Note: If P051 or P052 = 6 or 18 while P053 or P054 or P055 = 17 then the setpoints are added.</p> <p>Examples: (1) P053 = 17, P054 = 17, P055 = 17: All 8 fixed frequencies are available e.g. DIN3 = 1, DIN4 = 1, DIN5 = 0 FF3 (P043)</p> <p>(2) P053 ≠ 17, P054 = 17, P055 = 17: DIN3 is fixed at zero (only FF5 to FF8 available) e.g. DIN4 = 1, DIN5 = 0 FF7 (P048)</p>																																																
P056	Digital input debounce time	0 - 2 [0]	0 = 12.5 ms 1 = 7.5 ms 2 = 2.5 ms																																													
P057	Digital Input Watchdog Trip (seconds)	0.0-650.0 [1.0]	Time interval between expected 'Watchdog kicks' or if this time interval should lapse without a pulse on one of the digital inputs, an F057 trip will occur. (See P051 to P055 and P356)																																													
P061	Selection relay output RL1	0 - 13 [6]	Sets the relay function, output RL1 (terminals 18,19 and 20)																																													
<table border="1"> <thead> <tr> <th>Value</th> <th>Relay function</th> <th>Active ³</th> </tr> </thead> <tbody> <tr> <td>0</td> <td>No function assigned (relay not active)</td> <td>Low</td> </tr> <tr> <td>1</td> <td>Inverter is running</td> <td>High</td> </tr> <tr> <td>2</td> <td>Inverter frequency 0.0 Hz</td> <td>Low</td> </tr> <tr> <td>3</td> <td>Motor running direction right</td> <td>High</td> </tr> <tr> <td>4</td> <td>External brake on (see parameters P063/P064)</td> <td>Low</td> </tr> <tr> <td>5</td> <td>Inverter frequency less than or equal to minimum frequency</td> <td>Low</td> </tr> <tr> <td>6</td> <td>Fault indication ¹</td> <td>Low</td> </tr> <tr> <td>7</td> <td>Inverter frequency greater than or equal to setpoint</td> <td>High</td> </tr> <tr> <td>8</td> <td>Warning active ²</td> <td>Low</td> </tr> <tr> <td>9</td> <td>Output current greater than or equal to P065</td> <td>High</td> </tr> <tr> <td>10</td> <td>Motor current limit (warning) ²</td> <td>Low</td> </tr> <tr> <td>11</td> <td>Motor over temperature (warning) ²</td> <td>Low</td> </tr> <tr> <td>12</td> <td>PID closed loop motor LOW speed limit</td> <td>High</td> </tr> <tr> <td>13</td> <td>PID closed loop motor HIGH speed limit</td> <td>High</td> </tr> </tbody> </table>				Value	Relay function	Active ³	0	No function assigned (relay not active)	Low	1	Inverter is running	High	2	Inverter frequency 0.0 Hz	Low	3	Motor running direction right	High	4	External brake on (see parameters P063/P064)	Low	5	Inverter frequency less than or equal to minimum frequency	Low	6	Fault indication ¹	Low	7	Inverter frequency greater than or equal to setpoint	High	8	Warning active ²	Low	9	Output current greater than or equal to P065	High	10	Motor current limit (warning) ²	Low	11	Motor over temperature (warning) ²	Low	12	PID closed loop motor LOW speed limit	High	13	PID closed loop motor HIGH speed limit	High
Value	Relay function	Active ³																																														
0	No function assigned (relay not active)	Low																																														
1	Inverter is running	High																																														
2	Inverter frequency 0.0 Hz	Low																																														
3	Motor running direction right	High																																														
4	External brake on (see parameters P063/P064)	Low																																														
5	Inverter frequency less than or equal to minimum frequency	Low																																														
6	Fault indication ¹	Low																																														
7	Inverter frequency greater than or equal to setpoint	High																																														
8	Warning active ²	Low																																														
9	Output current greater than or equal to P065	High																																														
10	Motor current limit (warning) ²	Low																																														
11	Motor over temperature (warning) ²	Low																																														
12	PID closed loop motor LOW speed limit	High																																														
13	PID closed loop motor HIGH speed limit	High																																														
¹ Inverter switches off (see parameter P930 and P140 to P143 and Section 6). ² Inverter does not trip (see parameter P931). ³ 'Active low' = relay OFF/ de-energised or 'Active high' = relay ON/ energised																																																
<p>Note: If the external brake function is used (P061 or P062 = 4) and additional slip compensation is used (P071≠ 0), minimum frequency must be less than 5 Hz (P012 < 5.00), otherwise the inverter may not switch off.</p>																																																
P062	Selection relay output RL2.	0 - 13 [8]	Sets the relay function, output RL2 (terminals 21and 22) (refer to the table in P061).																																													

Parameter	Function	Range [Default]	Description / Notes
P063	External brake release delay (seconds)	0 - 20.0 [1.0]	Only effective if the relay output is set to control an external brake (P061 or P062 = 4). In this case when the inverter is switched on, it will run at the minimum frequency for the time set by this parameter before releasing the brake control relay and ramping up (see illustration in P064).
P064	External brake stopping time (seconds)	0 - 20.0 [1.0]	As P063, only effective if the relay output is set to control an external brake. This defines the period for which the inverter continues to run at the minimum frequency after ramping down and while the external brake is applied.
<p>Notes: (1) Settings for P063 and P064 should be slightly longer than the actual time taken for the external brake to apply and release respectively (2) Setting P063 or P064 to too high a value, especially with P012 set to a high value, can cause an overcurrent warning or trip as the inverter attempts to turn a locked motor shaft.</p>			
P065	Current threshold for relay (A)	0.0-300.0 [1.0]	This parameter is used when P061 = 9. The relay switches on when the motor current is greater than the value of P065 and switches off when the current falls to 90% of the value of P065 (hysteresis).
P066	Compound braking	0 - 250 [0]	0 = Off 1 to 250 = Defines the level of DC superimposed on the AC waveform, expressed as a percentage of P083. Generally, increasing this value improves braking performance, however, with 400V inverters, a high value in this parameter could cause F001 trips. Note: Compound braking does not operate in Sensorless Vector control mode (P077=3).
P069	Ramp extension disable	0 - 1 [1]	0 - Ramp extension disabled. 1 - Ramp extension enabled. Ramp time is increased during current limit, overvoltage limit and slip limit to prevent tripping. Ramp extension does not occur when in vector control (P077=3). Default value is 1.
P070	Braking Resistor Duty Cycle	0 - 4 [0]	0 = 5% (as for previous NORDAC compact generations) 1 = 10% 2 = 20% 3 = 50% 4 = 100% (i.e. continuous) WARNING: Standard braking resistors for the NORDAC compact are designed for the 5% duty cycle only. Do not select higher duty cycles unless suitably rated resistors are being used to handle the increased power dissipation. The maximum on time for values 0 to 3 is limited according to the brake resistor thermal capacity. Limit is 12 seconds for 5%, increasing to 25 seconds for 50%.

Parameter	Function	Range [Default]	Description / Notes
P071	● Slip compensation (%)	0 - 200 [0]	<p>The inverter can estimate the amount of slip in an asynchronous motor at varying loads and increase its output frequency to compensate. This parameter 'fine tunes' the compensation for different motors in the range 0 - 200% of the calculated slip.</p> <p>Note: This feature is not active and is not necessary when in Sensorless Vector Control (P077=3).</p> <p>WARNING: This parameter must be set to zero when using synchronous motors or motors that are connected in parallel or over-compensation can cause instability.</p>
P072	● Slip limit (%)	0 - 500 [250]	<p>0 - 499 - This limits the slip of the motor to prevent 'pull-out' (stalling), which can occur if slip is allowed to increase indefinitely. When the slip limit is reached, the inverter reduces frequency to keep the level of slip below this limit.</p> <p>500 - Disables slip limit warning</p>
P073	● DC injection braking (%)	0 - 250 [0]	<p>This rapidly stops the motor by applying a DC braking current and holds the shaft stationary until the end of the braking period. Additional heat is generated within the motor. Braking is effective for the period of time set by P003.</p> <p>The DC brake can be activated using DIN1 to DIN6 (see P051 to P055 and P356).</p> <p>WARNING: Frequent use of long periods of dc injection braking can cause the motor to overheat. If DC injection braking is enabled via a digital input then DC current is applied for as long as the digital input is high. This causes heating of the motor.</p>

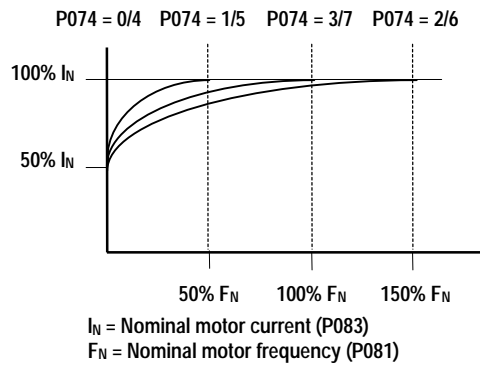
Parameter	Function	Range [Default]	Description / Notes
-----------	----------	-----------------	---------------------

P074 ● 2t motor protection
0 - 7
[1]

Selects the most appropriate curve for the motor derating at low frequencies due to the reduced cooling effect of the shaft mounted cooling fan.

Note:

The de-rating curve cannot guarantee motor thermal protection. It is preferable to protect the motor using a PTC thermistor because the derating for frequency varies between different motors.



- 0 = No derating. Suitable for motors with separately powered cooling or no fan cooling which dissipate the same amount of heat regardless of speed.
- 1 = For 2 or 4-pole motors which generally have better cooling due to their higher speeds. The inverter assumes that the motor can dissipate full power at 50% nominal frequency.
- 2 = Suitable for special motors not continuously rated at nominal current at nominal frequency..
- 3 = For 6 or 8-pole motors. The inverter assumes that the motor can dissipate full power at nominal frequency.
- 4 = As P074 = 0 but the inverter trips (F074) instead of reducing the motor torque / speed.
- 5 = As P074 = 1 but the inverter trips (F074) instead of reducing the motor torque / speed.
- 6 = As P074 = 2 but the inverter trips (F074) instead of reducing the motor torque / speed.
- 7 = As P074 = 3 but the inverter trips (F074) instead of reducing the motor torque / speed.

P075 ● Braking chopper enable
0 - 1
[0]

- 0 = An external braking resistor is not connected.
- 1 = An external braking resistor is connected.

An external braking resistor can be used to 'dump' the power generated by the motor, thus giving greatly improved braking and deceleration capabilities. It **MUST** be greater than 40Ω (80Ω for 3 AC 400 V inverters) or the inverter will be damaged. Purpose made resistors are available to cater for all NORDAC compact variants.

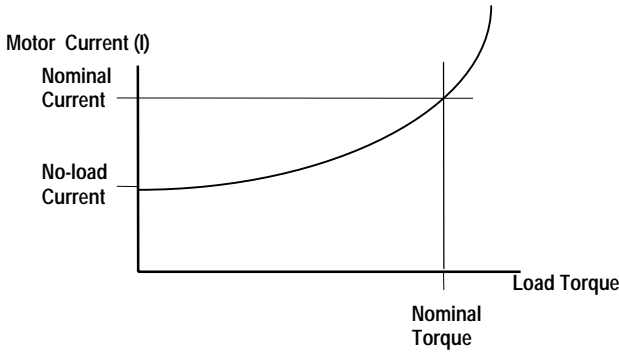
WARNING: Take care if an alternative resistor is to be used as the pulsed voltage applied by the inverter can destroy ordinary resistors.

Parameter	Function	Range [Default]	Description / Notes																													
P076 ●	Pulse frequency	0 - 7 [0 or 4]	<p>Sets the pulse frequency (from 2 to 16 kHz) and the PWM mode. If silent operation is not absolutely necessary, the losses in the inverter as well as the RFI emissions can be reduced by selecting lower pulse frequencies.</p> <p>0/1 = 16 kHz (230 V default) 2/3 = 8 kHz 4/5 = 4 kHz (400 V default) 6/7 = 2 kHz</p> <p>Even numbers = normal modulation technique. Odd numbers = lower loss modulation technique used when operating mainly at speeds above 5 Hz.</p> <p>Due to higher switching losses at increased switching frequencies, certain inverters may have their maximum continuous current (100%) derated if the value of P076 is changed from the default value</p> <table border="1"> <thead> <tr> <th rowspan="2">Model</th> <th colspan="2">% of full load de-rating</th> </tr> <tr> <th>P076 =0 or 1</th> <th>P076 =2 or 3</th> </tr> </thead> <tbody> <tr> <td>SK750/3 CV</td> <td>80</td> <td>100</td> </tr> <tr> <td>SK1100/3 CV</td> <td>50</td> <td>80</td> </tr> <tr> <td>SK1500/3 CV</td> <td>50</td> <td>80</td> </tr> <tr> <td>SK2200/3 CV</td> <td>80</td> <td>100</td> </tr> <tr> <td>SK3000/3 CV</td> <td>50</td> <td>80</td> </tr> <tr> <td>SK4000/3 CV</td> <td>50</td> <td>80</td> </tr> <tr> <td>SK5500/3 CV</td> <td>50</td> <td>80</td> </tr> <tr> <td>SK7500/3 CV</td> <td>50</td> <td>80</td> </tr> </tbody> </table> <p>Note: If P076 = 4, 5, 6 or 7 then derating does not occur on the above inverters.</p>	Model	% of full load de-rating		P076 =0 or 1	P076 =2 or 3	SK750/3 CV	80	100	SK1100/3 CV	50	80	SK1500/3 CV	50	80	SK2200/3 CV	80	100	SK3000/3 CV	50	80	SK4000/3 CV	50	80	SK5500/3 CV	50	80	SK7500/3 CV	50	80
Model	% of full load de-rating																															
	P076 =0 or 1	P076 =2 or 3																														
SK750/3 CV	80	100																														
SK1100/3 CV	50	80																														
SK1500/3 CV	50	80																														
SK2200/3 CV	80	100																														
SK3000/3 CV	50	80																														
SK4000/3 CV	50	80																														
SK5500/3 CV	50	80																														
SK7500/3 CV	50	80																														
P077	Control mode	0 - 3 (1)	<p>Controls the relationship between the speed of the motor and the voltage supplied by the inverter. One of four modes can be selected:</p> <p>0 =Linear voltage/frequency (V/f curve) 1 =Flux Current Control (FCC) 2 =Quadratic voltage/frequency relationship (Quadratic V/f) 3 = Sensorless Vector Control</p> <p>Note: When Sensorless Vector Control is selected (P077 = 3), P088 will automatically be set to 1, so that on first run-up, the inverter will measure the stator resistance of the motor and calculate motor constants from the rating plate data in P080 to P085.</p>																													
P078 ●	Continuous boost (%))	0 - 250 [100] [100] [50]	<p>For many applications it is necessary to increase low frequency torque. This parameter sets the start-up current at 0 Hz to adjust the available torque for low frequency operation. 100% setting will produce rated motor current (P083) at low frequencies.</p> <p>WARNING: If P078 is set too high, overheating of the motor and/or an overcurrent trip (F002) can occur.</p>																													
P079 ●	Starting boost (%)	0 - 250 [0]	<p>For drives which require a high initial starting torque, it is possible to set an additional current (added to the setting in P078) during ramp duration (P002). This is only effective during initial start up and until the frequency setpoint is reached.</p> <p>WARNING: This increase is in addition to P078, but the total is limited to 250%.</p>																													

Parameter	Function	Range [Default]	Description / Notes
P080	Nominal rating plate motor power factor (cosφ)	0.00-1.00 [☆☆☆]	If efficiency is shown on the motor rating plate, calculate the power factor as follows: $pf = \frac{hp \times 746}{1.732 \times \text{efficiency} \times \text{nom. volts} \times \text{nom. amps}}$ If neither power factor nor efficiency are shown on the motor rating plate - set P080 = 0.
P081	Nominal rating plate frequency for motor (Hz)	0 - 650.00 [50.00]	Notes: 1 These parameters P080 to P085 must be set for the particular motor used. Read the figures from the motor rating plate (see Figure 11). 2 It will be necessary to perform an automatic calibration (P088 = 1) if P080 to P085 are changed from their factory default settings. 3 When the inverter is set-up for US operation (P101=1); P081 will default to 60Hz and P085 will indicate hp (0.16 - 250)
P082	Nominal rating plate speed for motor (RPM)	0 - 9999 [☆☆☆]	
P083	Nominal rating plate current for motor (A)	0.1-300.0 [☆☆☆]	
P084	Nominal rating plate voltage for motor (V)	0 - 1000 [☆☆☆]	
P085	Nominal rating plate power for motor (kW)	0.12-250.00 [☆☆☆]	
P086 ●	Motor current limit (%)	0 - 250 [150]	Defines the motor overload current as a % of the Nominal motor current (P083) allowed for up to one minute. With this parameter and P186, the motor current can be limited and overheating of the motor prevented. If this set value is exceeded for one minute, the output frequency is reduced until the current falls to that set in P083. The inverter display flashes as a warning indication but the inverter does not trip. The inverter can be made to trip by using the relay in conjunction with P074. Note: The maximum value that P086 can be set to is automatically limited by the rating of the inverter.
P087 ●	Motor PTC enable	0 - 1 [0]	0 = Disabled 1 = External PTC enabled Note: If motor thermal protection is required, then an external PTC must be used and P087 = 1. If P087 = 1 and the PTC input goes high then the inverter will trip (fault code F004 displayed).
P088	Automatic calibration	0 - 1 [0]	The motor stator resistance is used in the inverter's internal current monitoring calculations. When P088 is set to '1' and the RUN button is pressed, the inverter performs an automatic measurement of motor stator resistance; stores it in P089 and then resets P088 to '0'. If the measured resistance is too high for the size of inverter (e.g. motor not connected or unusually small motor connected), the inverter will trip (fault code F188) and will leave P088 set to '1'. If this happens, set P089 manually and then set P088 to '0'.
P089 ●	Stator resistance (Ω)	0.01-199.99 [☆☆☆]	Can be used instead of P088 to set the motor stator resistance manually. The value entered should be the resistance measured across any two motor phases. WARNING: The measurement should be made at the inverter terminals with power off. Note: If the value of P089 is too high then an overcurrent trip (F002) may occur.
P091 ●	Serial link slave address	0 - 30 [0]	Up to 31 inverters can be connected via the serial link and controlled by a computer or PLC using the USS serial bus protocol. This parameter sets a unique address for the inverter.

Parameter	Function	Range [Default]	Description / Notes
P092	● Serial link baud rate	3 - 7 [6]	Sets the baud rate of the RS485 serial interface (USS protocol): 3 = 1200 baud 4 = 2400 baud 5 = 4800 baud 6 = 9600 baud 7 = 19200 baud Note: Some RS232 to RS485 converters are not capable of baud rates higher than 4800.
P093	● Serial line time-out (seconds)	0 - 240 [0]	This is the maximum permissible period between two incoming data telegrams. This feature is used to turn off the inverter in the event of a communications failure. Timing starts after a valid data telegram has been received and if a further data telegram is not received within the specified time period, the inverter will trip and display fault code F008. Setting the value to zero switches off the control.
P094	● Serial link nominal system setpoint (Hz)	0 - 650.00 [50.00]	Setpoints are transmitted to the inverter via the serial link as percentages. The value entered in this parameter represents 100% (HSW = 4000H).
P095	● USS compatibility	0 - 2 [0]	0 = Compatible with 0.1 Hz resolution 1 = Enable 0.01 Hz resolution 2 = HSW is not scaled but represents the actual frequency value to a resolution of 0.01 Hz (e.g. 5000 = 50 Hz).
P099	● Option module type	0 - 1 [0]	0 = Option module not present 1 = PROFIBUS module (enables parameters relating to PROFIBUS)
P101	● Operation for Europe or USA	0 - 1 [0]	This sets the inverter for European or USA supply and nominal rating plate frequency for the motor to: 0 = Europe (50 Hz and power ratings to kW) 1 = USA (60 Hz and power ratings to hp) Note: After setting P101 = 1 the inverter must be re-set to factory defaults, i.e. P944 = 1 to automatically set P013 = 60Hz, P081 = 60Hz, P082 = 1680rpm and P085 will be displayed in hp.
P111	Inverter power rating (kW/hp)	0.12- 75.00 [☆☆☆]	Read-only parameter that indicates the power rating of the inverter in kW. e.g. 0.55 = 550 W Note: If P101 = 1 then the rating is displayed in hp.
P112	Inverter type	1 - 8 [☆☆☆]	Read-only parameter. 1 = NORDAC compact series 2 2 = NORDAC trio series 1 3 = 4 = NORDAC smart 5 = NORDAC compact basic series 3 6 = NORDAC compact 7 = 8 = . NORDAC trio series 2

Parameter	Function	Range [Default]	Description / Notes				
P113	Drive model	0 - 29 [☆☆☆]	Read-only parameter; indicates the Vector model number according to the type range indicated by P112.				
				P113	P112 = 6	P113	P112 = 6
				0		15	1100/2 CV
				1	250/1 FCV	16	1500/2 CV
				2	370/1 FCV	17	2200/2 CV
				3	550/1 FCV	18	3000/2 CV
				4	750/1 FCV	19	4000/2 CV
				5	1100/1 FCV	20	370/3 CV
				6	1500/1 FCV	21	550/3 CV
				7	2200/1 FCV	22	750/3 CV
				8	3000/1 FCV	23	1100/3 CV
						24	1500/3 CV
				10		25	2200/3 CV
				11	250/2 CV	26	3000/3 CV
				12	370/2 CV	27	4000/3 CV
				13	550/2 CV	28	5500/3 CV
14	750/2 CV	29	7500/3 CV				
P121	Enable/disable RUN button	0 - 1 [1]	0 = RUN button disabled 1 = RUN button enabled (only possible if P007 = 1)				
P122	Enable/disable FORWARD/REVERSE button	0 - 1 [1]	0 = FORWARD/REVERSE button disabled 1 = FORWARD/REVERSE button enabled (only possible if P007 = 1)				
P123	Enable/disable JOG button	0 - 1 [1]	0 = JOG button disabled 1 = JOG button enabled (only possible if P007 = 1)				
P124	Enable/disable Δ and ∇ buttons	0 - 1 [1]	0 = Δ and ∇ buttons disabled 1 = Δ and ∇ buttons enabled (only possible if P007 = 1) Note: This applies for frequency adjustment only. The buttons can still be used to change parameter values.				
P125	Reverse direction inhibit	0 - 1 [1]	This parameter can be used to prevent the inverter from running a motor in the reverse direction. 0 = Reverse direction disabled. Inhibits reverse commands from ALL sources (e.g. front panel, digital, analogue, etc.). All negative RUN commands (e.g. ON left, JOG left, REVERSE, etc.) result in FORWARD rotation. Any negative result of setpoint addition is clipped at 0 Hz. 1 = Normal operation. Forward and reverse direction of rotation allowed.				
P128	Fan switch-off delay time (seconds)	0 - 600 [120]	Time taken for the fan to switch off following an OFF command.				

Parameter	Function	Range [Default]	Description / Notes
P131	Frequency setpoint (Hz)	0.00-650.00 [-]	Read-only parameters. These are copies of the values stored in P001 but can be accessed directly via the serial link.
P132	Motor current (A)	0.0 - 300.0 [-]	
P133	Motor torque (% nominal torque)	0 - 250 [-]	
P134	DC link voltage (V)	0 - 1000 [-]	
P135	Motor RPM	0 - 9999 [-]	
P137	Output voltage (V)	0 - 1000 [-]	
P138	Instantaneous rotor / shaft frequency (Hz)(Vector mode only)	0 - 650 [-]	
P139	Peak output current detect	0.0 - 99.9 [-]	Stores the peak current seen by the motor. Can be reset using Δ and ∇ buttons.
P140	Most recent fault code	0 - 255 [-]	Read only. The last recorded fault code (see Section 6) is stored in this parameter. It is cleared when the inverter is reset. This is a copy of the code stored in P930.
P141	Most recent fault code -1	0 - 255 [-]	Read only. This parameter stores the last recorded fault code prior to that stored in P140/P930.
P142	Most recent fault code -2	0 - 255 [-]	Read only. This parameter stores the last recorded fault code prior to that stored in P141.
P143	Most recent fault code -3	0 - 255 [-]	Read only. This parameter stores the last recorded fault code prior to that stored in P142.
P186	● Motor instantaneous current limit (%)	0 - 500* (200)	<p>This parameter defines the instantaneous motor current limit as a % of the nominal motor current (P083). If the output current reaches this limit for three seconds, the inverter automatically reduces the current to the limit set in P086.</p> <p>Note: * The maximum value that can be set for P186 is automatically limited by the rating of the inverter.</p> <p>Torque limit operation is available, from 5Hz to 50Hz, when using Vector Control mode (P077=3). The motor torque produced is a function of motor current. If P186 and P086 are equal, the current limit function can effectively be used as a torque limit.</p>
			
P201	PID closed loop mode	0 - 1 [0]	0 = Normal operation (closed loop process control disabled). 1 = Closed loop process control using analogue input 2 as feedback.
P202	● P gain	0.0-999.9 [1.0]	Proportional gain.
P203	● I gain	0.00-99.9 [0]	Integral gain.

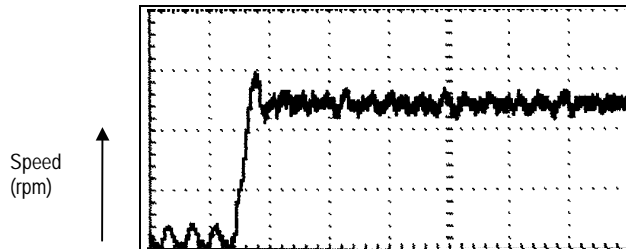
Parameter	Function	Range [Default]	Description / Notes
P204	● D gain	0.0-999.9 [0]	Derivative gain.
P205	● Integral gain scaling	1 - 2400 [1]	The integral action time is multiplied by this value.
P206	● Transducer filtering	0 - 255 [0]	0 = Filter off. 1 - 255 = Low pass filtering applied to transducer.
P207	● Integral capture range (%)	0 - 100 [100]	Percentage error above which integral term is reset to zero.
P208	Transducer type	0 - 1 [0]	0 = An increase in motor speed causes an increase in transducer voltage/current output. 1 = A increase in motor speed causes a decrease in transducer voltage/current output..
P210	Transducer reading (%)	0.00-100.00 [-]	Read-only. Value is a percentage of full scale of the selected signal input (i.e. 10 V or 20 mA).
P211	● 0% setpoint	0.0 - 100.00 [0.0]	Value of P210 to be maintained for 0% setpoint.
P212	● 100% setpoint	0.0 - 100.00 [100.00]	Value of P210 to be maintained for 100% setpoint.
P220	Frequency cut-off.	0 - 1 [0]	0 = Normal operation. 1 = Switch off inverter output at or below minimum frequency. Note: Active in all modes.
P321	● Minimum analogue frequency for analogue setpoint 2 (Hz)	0 - 650.00 [0.00]	Frequency corresponding to the lowest analogue input value, i.e. 0 V/0 mA or 2 V/4 mA, determined by P323 and the settings of the DIP selector switches 4 and 5 (see Figure 10, Section 3.1.2). This can be set to a higher value than P322 to give an inverse relationship between analogue input and frequency output (see diagram in P322).
P322	● Maximum analogue frequency for analogue setpoint 2 (Hz)	0 - 650.00 [50.00]	Frequency corresponding to the highest analogue input value, i.e. 10 V or 20 mA, determined by P323 and the setting of the DIP selector switches 4 and 5 (see Figure 10, Section 3.1.2).. This can be set to a lower value than P321 to give an inverse relationship between analogue input and frequency output.
<p>i.e. f</p> <p style="text-align: right;">V/I</p>			
P323	● Analogue input 2 type	0 - 2 [0]	Sets analogue input type for analogue input 2, in conjunction with the settings of the DIP selector switches 4 and 5 (see Figure 10, Section 3.1.2): 0 = 0 V to 10 V/ 0 to 20 mA Unipolar input 1 = 2 V to 10 V/ 4 to 20 mA Unipolar input 2 = 2 V to 10 V/ 4 to 20 mA Unipolar input with controlled start / stop when using analogue input control. Note: Setting P323 = 2 will not work unless the inverter is under full local control (i.e. P910 = 0 or 4) and $V \geq 1V$ or 2mA. WARNING: The inverter will automatically start when voltage goes above 1V. This equally applies to both analogue and digital control (i.e. P006 = 0 or 1)

Parameter	Function	Range [Default]	Description / Notes
P356	Digital input 6 configuration	0 - 24 [6]	Control function selection, DIN 6 See P051 - P055 for description.
P386	Sensorless vector speed control loop gain - proportional term	0.0 - 20.0 [1.0]	To optimise the dynamic performance of the vector control this parameter should be incremented whilst the inverter is operating under typical conditions until the first signs of speed instability occur. The setting should then be reduced slightly (approx. 10%) until stability is restored. In general, the optimum setting required will be proportional to the load inertia. If this setting is too low or too high, rapid load changes may result in DC link overvoltage trips (F001) and/or loss of orientation (F016). See effects of P386 on following page. Note: $P386 = \frac{\text{Load inertia} + \text{motor shaft inertia}}{\text{motor shaft inertia}}$
P387	Sensorless vector speed control loop gain - integral term	0.01- 10.0 [1.0]	P386 must be optimised before adjusting P387. Whilst operating the inverter under typical conditions, increment this parameter until the first signs of speed instability occur. The setting should then be reduced slightly (approx. 30%) until stability is restored. See effects of P387 on following page.

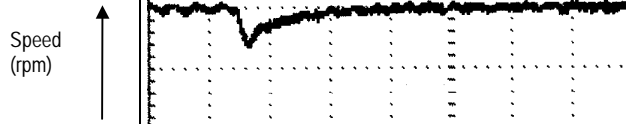
Parameter	Function	Range [Default]	Description / Notes
-----------	----------	--------------------	---------------------

Effects of P386 and P387

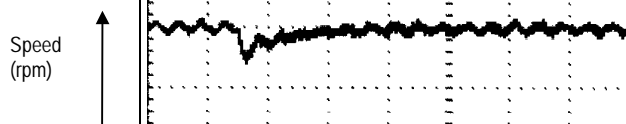
100% Torque Step



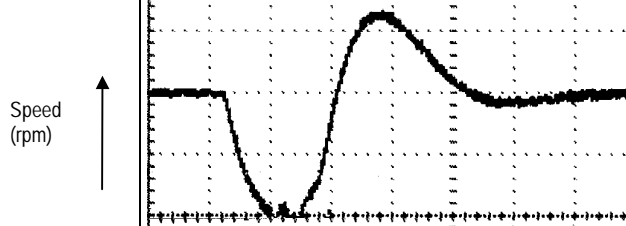
**P386 Optimised
(P387 = Default)**



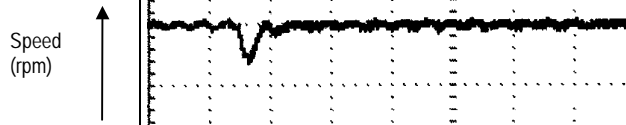
**P386 Too High
(P387 = Default)**



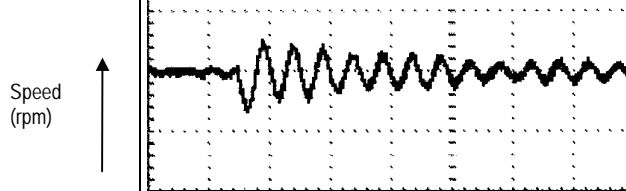
**P386 Too Low
(P387 = Default)**



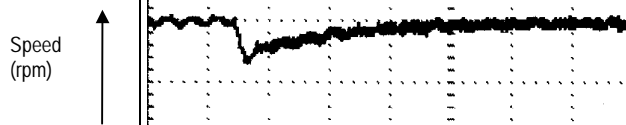
**P386 Optimised
P387 Optimised**



**P386 Optimised
P387 Too high**



**P386 Optimised
P387 Low Value**



Time (msecs per division)

Parameter	Function	Range [Default]	Description / Notes
P700			Specific to PROFIBUS-DP. See PROFIBUS Handbook for further details. Access only possible with P099 = 1
P701 ●			
P702			
P720 ●	Direct input/output functions	0 - 7 [0]	Allows direct access to the relay outputs and the analogue output via the serial link (USS or PROFIBUS-DP with module): 0 = Normal operation 1 = Direct control of relay 1 2 = Direct control of relay 2 3 = Direct control of relay 1 and relay 2 4 = Direct control of analogue output 1 only 5 = Direct control of analogue output 1 and relay 1 6 = Direct control of analogue output 1 and relay 2 7 = Direct control of analogue output 1, relay 1 and relay 2
P721	Analogue input 1 voltage (V)	0.0 - 10.0 [-]	Read only. Displays the analogue input 1 voltage (approximate).
P722 ●	Analogue output 1 current (mA)	0.0 - 20.0 [0.0]	Allows direct control of the output current if P720 = 4, 5, 6 or 7.
P723	State of digital inputs	0 - 3F [-]	Read-only. Provides a HEX representation of a 6-digit binary number of which the LSB = DIN1 and the MSB = DIN6 (1 = ON, 0 = OFF). e.g. If P723 = B, this represents '001011' - DIN1, DIN2 and DIN4 = ON, DIN3, DIN5 and DIN6 = OFF.
P724 ●	Relay output control	0 - 3 [0]	Enables control of the output relays. Used in conjunction with P720, e.g. setting P724 = 1 (relay 1 = ON) has no effect unless P720 = 1, 3, 5, or 7. 0 = Both relays OFF / de-energised 1 = Relay 1 ON / energised 2 = Relay 2 ON / energised 3 = Both relays ON / energised
P725	Analogue input 2 voltage (V)	0.0-10.0 [-]	Read only. Displays the analogue input 2 voltage (approximate) only when analogue input 2 is active (P051 to P055 or P356 = 24 and the respective digital input is high).
P880			Specific to PROFIBUS-DP. See PROFIBUS Handbook for further details. Access only possible with P099 = 1
P910 ●	Local / USS mode	0 - 4 [0]	Sets the inverter for local control or USS control over the serial link: 0 = Local control 1 = USS control (and setting of parameter values) 2 = Local control (but USS control of frequency) 3 = USS control (but local control of frequency) 4 = Local control (but USS read and write access to parameters and facility to reset trips) Note: When operating the inverter via USS control (P910 = 1 or 2), the analogue input remains active when P006 = 1 and is added to the setpoint.
P918 ●			Specific to PROFIBUS-DP. See PROFIBUS Handbook for further details. Access only possible with P099 = 1
P922	Software version	0.00 - 99.99 [-]	Contains the software version number and cannot be changed.
P923 ●	Equipment system number	0 - 255 [0]	You can use this parameter to allocate a unique reference number to the inverter. It has no operational effect.
P927 ●			Specific to PROFIBUS-DP. See PROFIBUS Handbook for further details.
P928 ●			Access only possible with P099 = 1

Parameter	Function	Range [Default]	Description / Notes
P930	Most recent fault code	0 - 255 [-]	Read only. The last recorded fault code (see Section 6) is stored in this parameter. It is cleared when the inverter is reset.(see P140)
P931	Most recent warning type	0 - 99 [-]	Read only. The last recorded warning is stored in this parameter until power is removed from the inverter: 002 = Current limit active 003 = Voltage limit active 004 = Slip limit exceeded 005 = Inverter over-temperature (heatsink) 006 = Motor over-temperature 010 = User power supply - current limit. 018 = Auto re-start after fault (P018) is pending. WARNING: The inverter may start at any time. 075 = Braking resistor - hot
P944	Reset to factory default settings	0 - 1 [0]	Set to '1' and then press P to reset all parameters except P101 to the factory default settings. Previously set parameters will be overwritten including the motor parameters P080 - P085 (See Section 3.2)
P947			Specific to PROFIBUS-DP. See PROFIBUS Handbook for further details. Access only possible with P099 = 1
P958			
P963			
P967			
P968			
P970			
P971	● EEPROM storage control	0 - 1 [1]	0 = Changes to parameter settings (including P971) are lost when power is removed. 1 = Changes to parameter settings are retained during periods when power is removed. IMPORTANT: When using the serial link to update the parameter set held in EEPROM, care must be taken not to exceed the maximum number of write cycles to this EEPROM - this is approximately 50,000 write cycles. Exceeding this number of write cycles would result in corruption of the stored data and subsequent data loss. The number of read cycles are unlimited.

6. FAULT AND WARNING CODES

6.1 Fault Codes

In the event of a failure, the inverter switches off and a fault code appears on the display. The last fault that occurred is stored in parameter P930. e.g. '0004' indicates that the last error was F004.

Fault Code	Cause	Corrective Action
F001	Overvoltage	Check whether supply voltage is within the limits indicated on the rating plate. Increase the Ramp-down time (P003) or apply braking resistor (option). Check whether the required braking power is within the specified limits.
F002	Overcurrent	Check whether the motor power corresponds to the inverter power. Check that the cable length limits have not been exceeded. Check motor cable and motor for short-circuits and earth faults. Check whether the motor parameters (P080 - P085) correspond with the motor being used. Check the stator resistance (P089). Increase the ramp-up time (P002). Reduce the boost set in P078 and P079. Check whether the motor is obstructed or overloaded.
F003	Overload	Check whether the motor is overloaded. Increase the maximum motor frequency if a motor with high slip is used.
F004	Overheating of motor (monitoring with PTC)	Check if motor is overloaded. Check the connections to the PTC. Check that P087 has not been set to 1 without a PTC being connected.
F005	Inverter overtemperature (internal PTC)	Check that the ambient temperature is not too high. Check that the air inlet and outlet are not obstructed. Check that the inverter's integral fan is working
F006	Mains phase missing (3-phase units only)	Check the mains supply and correct as necessary.
F008	USS protocol time-out	Check the serial interface. Check the settings of the bus master and P091 - P093. Check whether the time-out interval is too short (P093).
F009	Undervoltage	Check whether the supply voltage is within the limits indicated on the rating plate. Check the supply is not subject to temporary failures or voltage reductions.
F010	Initialisation fault	Check the entire parameter set. Set P009 to '0000' before power down.
F011	Internal interface fault ¹	Switch off power and switch on again.
F012	External trip	Source of trip is digital input (configured as an external trip input) going low - check the external source.
F013	Programme fault ¹	Switch off power and switch on again.
F016	Sensorless vector control unstable	Try calibrating the stator resistance (set P088 to 1 and RUN). Alternatively try re-adjusting the sensorless vector control loop gain (see P386).
F030	PROFIBUS link failure	Check the integrity of the link.
F031	PROFIBUS to inverter link failure	Check the integrity of the link.
F033	PROFIBUS configuration error	Check the PROFIBUS configuration.
F036	PROFIBUS module watchdog trip	Replace PROFIBUS module
F057	Delayed Trip (See P057)	P051 to P055 or P356 = 20 and trip input has remained low for longer than the time set in P057
F074	Motor overtemperature by I ² t calculation	Trip occurs only if P074 = 4, 5, 6 or 7. Check that the motor current does not exceed the value set in P083 and P086.

Fault Code	Cause	Corrective Action
F105	Inverter overtemperature (internal sensor)	Check that the ambient temperature is not too high. Check that the air inlet and outlet are not obstructed Check that the inverter's integral fan is working
F106	Parameter fault P006	Parameterise fixed frequency (ies) on the digital inputs.
F112	Parameter fault P012/P013	Set parameter P012 < P013.
F151- F156	Digital input parameter fault	Change the settings of digital inputs P051 to P055 and P356.
F188	Automatic calibration failure	Motor not connected to inverter - connect motor. If the fault persists, set P088 = 0 and then enter the measured stator resistance of the motor into P089 manually.
F201	P006 = 1 while P201 = 2	Change parameter P006 and / or P201
F212	Parameter fault P211/P212	Set parameter P211 < P212.
F231	Output current measurement imbalance	Check motor cable and motor for short-circuits and earth faults.
F255	Watchdog Trip	Remove prime power and re-apply

¹ Ensure that the wiring guidelines described in Section 8.3 have been complied with.

When the fault has been corrected the inverter can be reset. To do this press button **P** twice (once to display P000 and the second time to reset the fault), or clear the fault via a binary input (see parameters P051 - P055 and P356 in Section 5).

6.2 Warning Codes

In the event of a warning, the inverter display will flash. The last warning to occur is stored in parameter P931.

Warning Code	Cause	Corrective Action
002	Current limit active	Check whether the motor power corresponds to the inverter power. Check that the cable length limits have not been exceeded. Check motor cable and motor for short-circuits and earth faults. Check whether the motor parameters (P080 - P085) correspond with the motor being used. Check the stator resistance (P089). Increase the ramp-up time (P002). Reduce the boost set in P078 and P079. Check whether the motor is obstructed or overloaded.
003	Voltage limit active	Increase ramp time or fit breaking resistor
004	Slip limit exceeded	Check that motor is not overloaded, check motor parameters
005	Inverter overtemperature (heatsink)	Check that the ambient temperature is not too high. Check that the air inlet and outlet are not obstructed. Check that the inverter's integral fan is working
006	Motor over-temperature	Check if motor is overloaded.. Check that P087 has not been set to 1 without a PTC being connected.
010	15V power supply - current limit	Check Connections
018	Auto re-start after fault (P018) is pending	WARNING: The inverter may start at any time.
075	Braking resistor - hot	

7. SPECIFICATIONS

230V Single Phase NORDAC compact Inverters with built-in filter class A									
Inverter model	SK...FCV	250/1	370/1	550/1	750/1	1100/1	1500/1	2200/1	3000/1
Input voltage range		1 AC 208V - 240 V +/-10%							
Motor output rating ^a	(kW / hp)	0.25/ 1/3	0.37/1/2	0.55/3/4	0.75/ 1	1.1/ 1½	1.5 / 2	2.2 / 3	3.0/ 4
Continuous output	@ 230V	660 VA	880 VA	1.14 kVA	1.5 kVA	2.1 kVA	2.8 kVA	4.0 kVA	5.2kVA
Output current (nom.) ^a	(A)	1.5	2.1	2.6	3.5	4.8	6.6	9.0	11.8
Output current (max. continuous)	(A)	1.7	2.3	3.0	3.9	5.3	7.4	10.4	13.6
Input current (max.)	(A)	3.2	4.6	6.2	8.2	11.0	14.4	20.2	28.3
Recommended mains fuse	träge (A)	10		16		20		25	30
Recommended lead cross-section (min.)	Input	1.0 mm ²		1.5 mm ²		2.5 mm ²		4.0 mm ²	
	Output	1.0 mm ²				1.5 mm ²		2.5 mm ²	
Dimensions (mm) (w x h x d)	(mm)	73 x 175 x 141				149 x 184 x 172		185 x 215 x 195	
Weight (kg / lb)	(kg / lb)	0.85 / 1.9				2.4 / 5.3		4.8 / 10.5	

All 1 AC 230 V NORDAC compact include integrated Class A filters.

230 V 1/3 AC NORDAC compact Inverters										
Inverter model	SK...CV	250/2	370/2	550/2	750/2	1100/2	1500/2	2200/2	3000/2 ^c	4000/2
Input voltage range		1 - 3 AC 208V - 240 V +/-10%								3 AC
Motor output rating ^a	(kW / hp)	0.25/ 1/3	0.37/1/2	0.55/3/4	0.75/ 1	1.1 / 1½	1.5 / 2	2.2 / 3	3.0 / 4	4.0/5
Continuous output	@ 230V	660 VA	880 VA	1.14 kVA	1.5 kVA	2.1 kVA	2.8 kVA	4.0 kVA	5.2 kVA	7.0kVA
Output current (nom.) ^a	(A)	1.5	2.1	2.6	3.5	4.8	7.4	9.0	11.8	15.9
Output current (max. continuous)	(A)	1.7	2.3	2.9	3.9	5.3	7.0	10.0	13.0	17.5
Input current (max.)	(A)	3.2	4.6	6.2	8.2	11.0	14.4	20.2	28.3	21.1
Recommended mains fuse	träge (A)	10			16		20	25	30	25
Recommended lead cross-section (min.)	Input	1.0 mm ²			1.5 mm ²		2.5 mm ²			4.0 mm ²
	Output	1.0 mm ²			1.5 mm ²		2.5 mm ²			
Dimensions (mm)	(mm)	73 x 175 x 141				149 x 184 x 172		185 x 215 x 195		
Weight (kg / lb)	(kg / lb)	0.75 / 1.7				2.4 / 5.3		4.8 / 10.5		

All 1 AC and 3 AC 230 V NORDAC compact (excluding SK4000/2 CV) are suitable for 208 V operation.

All 3 AC 230 V NORDAC compact can operate on 1 AC 230 V (SK3000/2 CV requires an external line choke, e.g. 4EM6100-3CB).

380 V - 500 V Three Phase NORDAC compact Inverters											
Inverter model	SK...CV	370/3	550/3	750/3	1100/3	1500/3	2200/3	3000/3	4000/3	5500/3	7500/3
Input voltage range		3 AC 380 V - 500 V +/-10%									
Motor output rating ^a	(kW / hp)	0.37 / 1/2	0.55 / 3/4	0.75 / 1	1.1 / 1½	1.5 / 2	2.2 / 3	3.0 / 4	4.0 / 5	5.5 / 7½	7.5 / 10
Continuous output	@ 400V	930VA	1180VA	1530VA	2150VA	2.8 kVA	4.0 kVA	5.2 kVA	7.0 kVA	9.0 kVA	12.1kVA
Output current (nom.) ^a	(A)	1.2	1.5	2.0	2.8	3.7	5.2	6.8	9.2	11.8	15.8
Output current (max. continuous)	(A)	1.3	1.7	2.2	3.1	4.1	5.7	7.5	10.1	13.0	17.5
Input current (max.)	(A)	2.2	2.8	3.7	4.9	5.9	8.8	11.1	13.6	17.1	22.1
Recommended mains fuse ^b	träge (A)	10				16			20		25
Recommended lead cross-section (min.)	Input	1.0 mm ²			1.5 mm ²			2.5 mm ²		4.0 mm ²	
	Output	1.0 mm ²						1.5 mm ²		2.5 mm ²	
Dimensions (mm) (w x h x d)	(mm)	73 x 175 x 141				149 x 184 x 172			185 x 215 x 195		
Weight (kg / lb)	(kg / lb)	0.75 / 1.7				2.4 / 5.3			4.8 / 10.5		

Notes:

Optional external Class A and Class B filters are available (see Section 8.4).

^a Getriebebau NORD 4 pole-motor or equivalent.

^b Assumes 3-phase supply. If a single phase supply is used, the input current ratings, wire sizes and fuses for single phase NORDAC compact will apply.

^c SK3000/1 FCV and SK3000/2 CV require an external choke (e.g. 4EM6100-3CB) and a 30 A mains fuse to operate on a single phase supply.

Input frequency:	47 Hz to 63 Hz
Mains supply impedance:	> 1% (fit input choke if < 1%)
Power factor:	≥ 0.7
Output frequency range:	0 Hz to 650 Hz
Resolution:	0.01 Hz
Overload capability:	200% for 3 s and then 150% for 60 s (related to nominal current)
Protection against:	Inverter overtemperature . Overvoltage and undervoltage
Additional protection:	Against short-circuits and earth/ground faults pull-out protection Protection against running with no load (open-circuit)
Operating mode:	4 quadrants possible.(Re-generation back into mains not possible).
Regulation and control:	Sensorless vector; FCC (Flux Current Control); voltage/frequency curve;
Analogue input / PID input:	Unipolar: 0 ~ 10 V/ 2 ~ 10 V (recommended potentiometer 4.7 kΩ) 0 ~ 20 mA/ 4 ~ 20 mA Bipolar: -10 ~ 0 ~ +10V
Analogue setpoint resolution:	10-bit
Analogue output:	0 - 20 mA/4 - 20 mA @ 0 - 500Ω; stability 5%
Setpoint stability:	Analogue < 1% Digital < 0.02%
Motor temperature monitoring:	PTC input, I ² t control
Ramp times:	0 - 650 s
Control outputs:	2 relays 230 V AC / 0.8 A (overvoltage cat.2); 30 V DC / 2 A WARNING: External inductive loads must be suppressed (see Section 8)
Interface:	RS485
Inverter efficiency:	97%
Operating temperature:	0°C to +50°C
Storage/transport temperature:	-40°C to +70°C
Ventilation:	Fan cooling
Humidity:	95% non-condensing
Installation height above sea level:	< 1000 m
Degree of protection:	IP20
Protective separation of circuits.	Double insulation or protective screening.
Electromagnetic compatibility (EMC):	See Section 7.4

Options / Accessories

Braking resistor
RFI suppression filter
Clear Text Display (CBV)
PROFIBUS module (CBV)
Output chokes and line chokes
Output filters

*Please contact your local
NORD Gear sales office for
further details*

8. SUPPLEMENTARY INFORMATION

8.1 Application Example

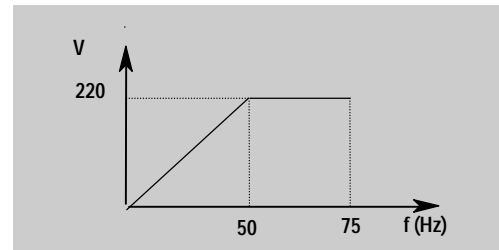
Set-up procedure for a simple application

Motor:	230 V 1.5 kW output power
Application requirements:	Setpoint adjustable via potentiometer 0 - 50 Hz Ramp-up from 0 to 50 Hz in 15 seconds Ramp-down from 50 to 0 Hz in 20 seconds
Inverter used:	SK 1500/1 FCV
Settings:	P009 = 2 (all parameters can be altered) P080 - P085 = values given on motor rating plate P006 = 1 (analogue input) P002 = 15 (Ramp-up time) P003 = 20 (Ramp-down time)

This application is now to be modified as follows:

Operation of motor up to 75 Hz
(voltage/frequency curve is linear up to 50 Hz).
Motor potentiometer setpoint in addition to
analogue setpoint .
Use of analogue setpoint at maximum 10 Hz.

i.e.



Parameter adjustments:	P009 = 2 (all parameters can be altered) P013 = 75 (maximum motor frequency in Hz) P006 = 2 (setpoint via motor potentiometer or fixed setpoint) P024 = 1 (analogue setpoint is added) P022 = 10 (maximum analogue setpoint at 10 V = 10 Hz)
------------------------	--

8.2 USS Status Codes

The following list gives the meaning of status codes displayed on the front panel of the inverter when the serial link is in use and parameter P001 is set to 006:

001	Message OK
002	Slave address received
100	Invalid start character
101	Time-out
102	Checksum error
103	Incorrect message length
104	Parity fail

Notes

- (1) The display flashes whenever a byte is received, thus giving a basic indication that a serial link connection is established.
- (2) If '100' flashes on the display continuously, this usually indicates a bus termination fault.

8.3 Wiring Guidelines to Minimise the Effects of EMI

The inverters are designed to operate in an industrial environment where a high level of Electro-Magnetic Interference (EMI) can be expected. Usually, good installation practices will ensure safe and trouble-free operation. If problems are encountered, the following guidelines may prove useful. In particular, grounding of the system at the inverter, as described below, may prove effective. Figures 13, 14 and 15 illustrate how an RFI suppression filter should be installed and connected to the NORDAC compact.

- (1) Ensure that all equipment in the cubicle is well earthed using short, thick earthing cable connected to a common star point or busbar. It is particularly important that any control equipment that is connected to the inverter (such as a PLC) is connected to the same earth or star point as the inverter via a short, thick link. Flat conductors (e.g. braids or metal brackets) are preferred as they have lower impedance at high frequencies.

The return earth from motors controlled by the inverter should be connected directly to the earth connection (PE) on the associated inverter.

- (2) Use saw-tooth washers when mounting the inverter and ensure that a good electrical connection is made between the heatsink and the panel, removing paint if necessary.
- (3) Wherever possible, use screened leads for connections to the control circuitry. Terminate the ends of the cable neatly, ensuring that unscreened wires are as short as possible. Use cable glands whenever possible.
- (4) Separate the control cables from the power connections as much as possible, using separate trunking, etc. If control and power cables cross, arrange the cables so that they cross at 90° if possible.
- (5) Ensure that contactors in the cubicle are suppressed, either with R-C suppressors for AC contactors or 'flywheel' diodes for DC contactors, **fitted to the coils**. Varistor suppressors are also effective. This is particularly important if the contactors are controlled from the relay on the inverter.
- (6) Use screened or armoured cables for the motor connections and ground the screen at both ends via the cable glands.
- (7) If the drive is to be operated in an Electro-magnetic noise-sensitive environment, the RFI filter should be used to reduce the conducted and radiated interference from the inverter. For optimum performance, there should be a good conductive bond between filter and metal mounting plate.

On no account must safety regulations be compromised when installing inverters!

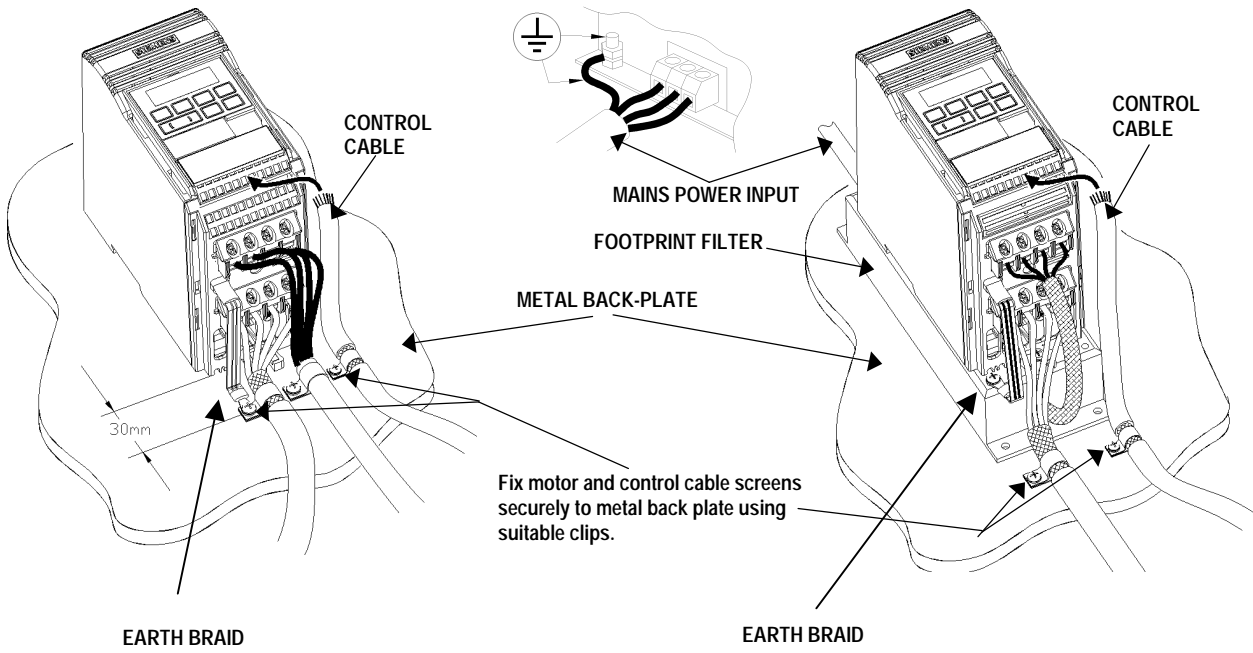


Figure 13: Wiring guidelines to minimise effects of EMI - NORDAC compact FSA

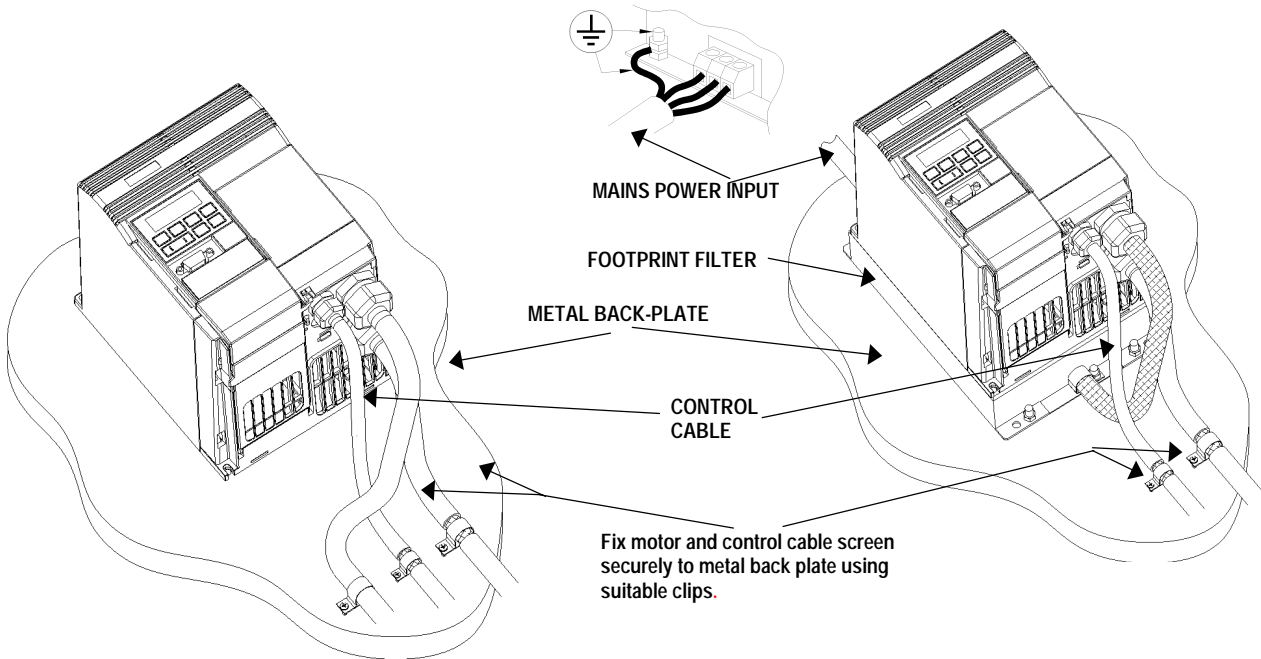


Figure 14: Wiring guidelines to minimise effects of EMI - NORDAC compact FSB

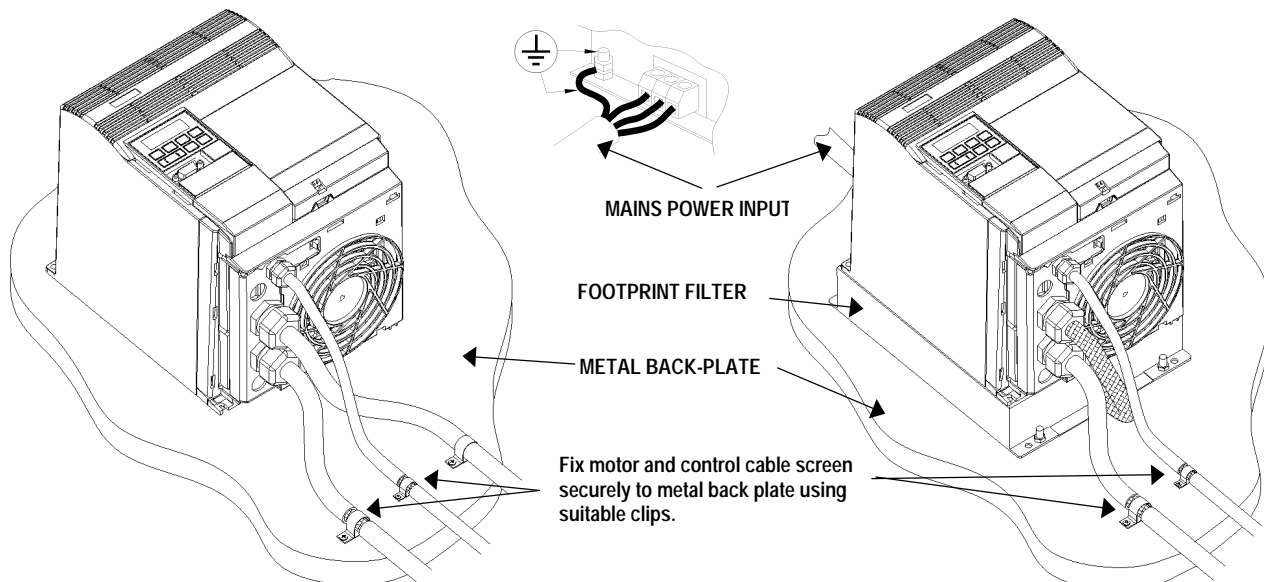


Figure 15: Wiring guidelines to minimise effects of EMI - NORDAC compact FSC

8.4 Electro-Magnetic Compatibility (EMC)

All manufacturers / assemblers of electrical apparatus which performs a complete intrinsic function which is placed on the market as a single unit intended for the end user must comply with the EMC directive EEC/89/336 after January 1996. There are three routes by which the manufacturer/assembler can demonstrate compliance:

1. *Self-Certification*

This is a manufacturer's declaration that the European standards applicable to the electrical environment for which the apparatus is intended have been met. Only standards which have been officially published in the Official Journal of the European Community can be cited in the manufacturer's declaration.

2. *Technical Construction File*

A technical construction file can be prepared for the apparatus describing its EMC characteristics. This file must be approved by a 'Competent Body' appointed by the appropriate European government organisation. This approach allows the use of standards which are still in preparation.

3. *EC Type-Examination Certificate*

This approach is only applicable to radio communication transmitting apparatus.

The NORDAC compact units do not have an intrinsic function until connected with other components (e.g. a motor). Therefore, the basic units are not allowed to be CE marked for compliance with the EMC directive. However, full details are provided below of the EMC performance characteristics of the products when they are installed in accordance with the wiring recommendations in Section 8.3.

Three classes of EMC performance are available as detailed below. **Note** that these levels of performance are only achieved when using the default switching frequency (or less) and a maximum motor cable length of 25 m.

Class 1: General Industrial

Compliance with the EMC Product Standard for Power Drive Systems EN 68100-3 for use in **Second Environment (Industrial)** and **Restricted Distribution**.

EMC Phenomenon	Standard	Level
<i>Emissions:</i>		
Radiated Emissions	EN 55011	Level A1 *
Conducted Emissions	EN 68100-3	*
<i>Immunity:</i>		
Electrostatic Discharge	EN 61000-4-2	8 kV air discharge
Burst Interference	EN 61000-4-4	2 kV power cables, 1 kV control
Radio Frequency Electromagnetic Field	IEC 1000-4-3	26-1000 MHz, 10 V/m

* *Emission limits not applicable inside a plant where no other consumers are connected to the same electricity supply transformer*

Class 2: Filtered Industrial

This level of performance will allow the manufacturer/assembler to self-certify their apparatus for compliance with the EMC directive for the industrial environment as regards the EMC performance characteristics of the power drive system. Performance limits are as specified in the Generic Industrial Emissions and Immunity standards EN 50081-2 and EN 50082-2.

EMC Phenomenon	Standard	Level
<i>Emissions:</i>		
Radiated Emissions	EN 55011	Level A1
Conducted Emissions	EN 55011	Level A1
<i>Immunity:</i>		
Supply Voltage Distortion	IEC 1000-2-4 (1993)	
Voltage Fluctuations, Dips, Unbalance, Frequency Variations	IEC 1000-2-1	
Magnetic Fields	EN 61000-4-8	50 Hz, 30 A/m
Electrostatic Discharge	EN 61000-4-2	8 kV air discharge
Burst Interference	EN 61000-4-4	2 kV power cables, 2 kV control
Radio Frequency Electromagnetic Field, amplitude modulated	ENV 50 140	80-1000 MHz, 10 V/m, 80% AM, power and signal lines
Radio-frequency Electromagnetic Field, pulse modulated	ENV 50 204	900 MHz, 10 V/m 50% duty cycle, 200 Hz repetition rate

Class 3: Filtered - for residential, commercial and light industry

This level of performance will allow the manufacturer / assembler to self-certify compliance of their apparatus with the EMC directive for the residential, commercial and light industrial environment as regards the EMC performance characteristics of the power drive system. Performance limits are as specified in the generic emission and immunity standards EN 50081-1 and EN 50082-1.

EMC Phenomenon	Standard	Level
<i>Emissions:</i>		
Radiated Emissions	EN 55022	Level B1
Conducted Emissions	EN 55022	Level B1
<i>Immunity:</i>		
Electrostatic Discharge	EN 61000-4-2	8 kV air discharge
Burst Interference	EN 61000-4-4	1 kV power cables, 0.5 kV control

Note

The NORDAC compact units are intended **exclusively for professional applications**. Therefore, they do not fall within the scope of the harmonics emissions specification EN 61000-3-2.

Compliance Table:

Model No.	EMC Class
SK 250/1 FCV - SK3000/1 FCV	Class 2
SK 250/2 CV - SK4000/2 CV	Class 1
SK 250/2 CV - SK4000/2 CV with external filter (see table) <i>1 phase input only</i>	Class 2*
SK 370/3 CV - SK 7500/3 CV	Class 1
SK 370/3 CV - SK7500/3 CV with external filter (see table)	Class 2*

* If the installation of the inverter reduces the radio frequency field emissions (e.g. by installation in a steel enclosure), Class 3 limits will typically be met.

Filter Part Numbers:

Inverter Model	Class B Filter Part No.	Standard
SK250/2 CV	77910250	EN 55011 / EN 55022
SK370/2 CV - SK750/2 CV	77910370	EN 55011 / EN 55022
SK1100/2 CV - SK1500/2 CV	77911100	EN 55011 / EN 55022
SK2200/2 CV - SK3000/2 CV	77912200	EN 55011 / EN 55022
SK4000/2 CV	nicht verfügbar	-
SK370/3 CV - SK1500/3 CV	77920370	EN 55011 / EN 55022
SK2200/3 CV - SK3000/3 CV	77922200	EN 55011 / EN 55022
SK4000/3 CV - SK7500/3 CV	77924000	EN 55011 / EN 55022

Note: Maximum mains supply voltage when filters are fitted is 460V.

8.5 Environmental Aspects

Transport and Storage

Protect the inverter against physical shocks and vibration during transport and storage. The unit must also be protected against water (rainfall) and excessive temperatures (*see Section 7*).

The inverter packaging is re-usable. Retain the packaging or return it to the manufacturer for future use.

If the unit has been in storage (non-operational) for more than one year, the DC-link capacitors must be re-formed before use. Refer to the Getriebebau NORD sales office for advice on the procedure.

Dismantling and Disposal

The unit can be broken-down to its component parts by means of easily released screw and snap connectors.

The component parts can be re-cycled, disposed of in accordance with local requirements or returned to the manufacturer.

Documentation

This handbook is printed on chlorine-free paper which has been produced from managed sustainable forests. No solvents have been used in the printing or binding process.

8.6 User's Parameter Settings

Record your own parameter settings in the tables below (Note: ☆☆☆ = Value depends on the rating of the inverter):

Parameter	Ihre Einstellung	Werkseinstellung	Parameter	Ihre Einstellung	Werkseinstellung	Parameter	Ihre Einstellung	Werkseinstellung
P000		-	P062		8	P141		-
P001		0	P063		1,0	P142		-
P002		10,00	P064		1,0	P143		-
P003		10,00	P065		1,0	P186		200
P004		0,0	P066		1	P201		0
P005		5,00	P069		1	P202		1,0
P006		0	P070		0	P203		0,00
P007		1	P071		0	P204		0,0
P009		0	P072		250	P205		1
P010		1,00	P073		0	P206		0
P011		0	P074		3	P207		100
P012		0,00	P075		0	P208		0
P013		50,00	P076		0/4	P210		-
P014		0,00	P077		1	P211		0,0
P015		0	P078		100	P212		100,00
P016		0	P079		0	P220		0
P017		1	P080		☆☆☆	P321		0,00
P018		0	P081		50,00	P322		50,00
P019		2,00	P082		☆☆☆	P323		0
P021		0,00	P083		☆☆☆	P356		6
P022		50,00	P084		☆☆☆	P386		1,0
P023		0	P085		☆☆☆	P387		1,0
P024		0	P086		150	P700		-
P025		0	P087		0	P701		-
P027		0,00	P088		0	P702		-
P028		0,00	P089		☆☆☆	P720		0
P029		0,00	P091		0	P721		-
P031		5,00	P092		6	P722		0,0
P032		5,00	P093		0	P723		-
P033		10,0	P094		50,00	P724		0
P034		10,0	P095		0	P725		-
P040		0	P099		0	P880		-
P041		5,00	P101		0	P910		0
P042		10,00	P111		☆☆☆	P918		-
P043		15,00	P112		☆☆☆	P922		-
P044		20,00	P113		☆☆☆	P923		0
P045		0	P121		1	P927		-
P046		25,0	P122		1	P928		-
P047		30,0	P123		1	P930		-
P048		35,0	P124		1	P931		-
P049		40,0	P125		1	P944		0
P050		0	P128		120	P947		-
P051		1	P131		-	P958		-
P052		2	P132		-	P963		-
P053		6	P133		-	P967		-
P054		6	P134		-	P968		-
P055		6	P135		-	P970		-
P056		0	P137		-	P971		1
P057		1,0	P138		-			
P061		6	P140		-			

We are always close at hand – world wide – Getriebebau NORD

Subsidiaries world wide:

Austria

Getriebebau NORD GmbH
Schärdinger Str. 7
A - 4061 Pasching bei Linz

Canada

NORD Gear Limited
20, Advance Blvd.
CDN - Brampton, Ontario, L6T 4R7

Denmark

NORD Gear Danmark A/S
Postboks 4 / Mads Clausensvej 7
DK - 6360 Tinglev

Great Britain / England

NORD Gear Limited
1, BlackInds Way,
Abingdon Business Park
GB - Abingdon, Oxford OX 14 1DY

Italy

NORD Motoriduttori s.r.l.
Via Modena 14
I – 40019 Sant' Agata Bolognese (BO)
(Bologna)

Norway

Nord Gear Norge A/S
Vestre Haugen 21
N – 1001 Oslo

Slowakia

Nord Pohony, s.r.o
Fandlyho 1
SK 81103 Bratislava

Switzerland

Getriebebau NORD AG
Bächigenstrasse 18
CH – 9212 Arnegg

Belgian

NORD Aandrijvingen N.V. /
Transmission S.A.
Boutersemde reef 24
B - 2240 Zandhoven

China

Getriebebau NORD
Shanghai Representative Office
German Centre for Industrie and trade
1233 Siping Lu
VR-200092 Shanghai

Finland

NORD Gear Oy
Hämeenkatu 25 A
SF 33200 Tampere

Great Britain / Scotland

Nord Gear Limited
9, Nether Friarton Industrial Units
Friarton Road
GB Perth, PH 9DF

Indonesia

Getriebebau NORD Indonesia
Komplek Ruko BSD
Sektor 7 Block R.O.No. 71
RI Bumi Serpong Damai

Poland

Nord Napedy Sp.z.o.o.
Ul. Jedynaka 30
PL 32-020 Wieliczka

Spain

NORD Motorreductores
Ctra. de Sabadell a Prats de Lluçanès
Aptdo. de Correos 166
E - 08200 Sabadell

Turkey

NORD-Remas Redüktör
San. ve Tic. Ltd. Sti.
Tepeören Köyü
TR - 81700 Tuzla – Istanbul

Brazil

NORD-PTI do Brasil Ltda.
Rua José Martins Coelho, 300
04461 - 050 São Paulo SP

Czechoslovakia

NORD Poháněci Technika
s.r.o Ulřichovo náměstí 854
CZ - 50002 Hradec Králové

France

NORD Réducteurs sarl.
17-19 Avenue Georges Clémenceau
F - 93421 Villepinte Cedex

Hungarian

NORD Hajtastechnika
Törökkö u. 5-7
H - 1037 Budapest

Netherlands

NORD Aandrijvingen Nederland B.V.
Voltstraat 12
NL - 2181 HA Hillegom

Singapore

NORD Gear Pte. Ltd.
33 Kian Teck Drive, Jurong
SGP-Singapore 628850

Sweden

NORD Drivsystem AB
Ryttargatan 277 / Box 2097
S - 19402 Upplands Väsby

USA

NORD Gear Corporation
800 Nord Drive / P.O. Box 367
USA - Waunakee, WI 53597-m0367

Internet: <http://www.nord.com>

Getriebebau NORD

Schlicht + Küchenmeister GmbH & Co.
Postfach 12 62
22934 Bargteheide. Germany

