

Microcassette pumphead chart

304MC and 504MC flow rate ranges (ml/min)										
Drive	rpm	Orange/Black 0.13mm 0.005"	Orange/Red 0.19mm 0.007"	Orange/Blue 0.25mm 0.010"	Orange/Green 0.38mm 0.015"	Orange/Yellow 0.50mm 0.020"	Maximum channels			
313F	5/50	0.14/1.4	0.21/2.1	0.29/2.9	0.37/3.7	0.45/4.5	15			
313S	110	0.09	0.30	0.52	0.92	1.70	15			
505S, 505U	0.5-55	0.0004-0.04	0.001-0.15	0.002-0.26	0.004-0.46	0.008-0.83	15			
505Du	0.25-55	0.0002-0.04	0.0007-0.15	0.001-0.26	0.002-0.46	0.004-0.83	15			
505Di	110	0.09	0.30	0.52	0.92	1.70	15			
Drive	rpm	Orange/White 0.63mm 0.025"	Black/Black 0.76mm 0.030"	Orange/Orange 0.88mm 0.035"	White/White 1.02mm 0.040"	Red/Red 1.14mm 0.045"	Grey/Grey 1.29mm 0.050"	Yellow/Yellow 1.42mm 0.055"	Maximum channels	
302F	7/55 110	0.20/1.50 3.10	0.29/2.30 4.60	0.41/3.20 6.40	0.52/4.10 8.10	0.63/5.00 9.90	0.84/6.50 13.0	1.10/8.30 17.0	10 10	
302S	5.5-55	0.15-1.50	0.23-2.30	0.32-3.20	0.41-4.10	0.50-5.00	0.65-6.50	0.83-8.30	10	
505S, 505U	0.5-55	0.014-1.50	0.021-2.30	0.029-3.20	0.037-4.10	0.045-5.00	0.060-6.60	0.075-8.30	15	
505Du	0.25-55	0.007-1.50	0.010-2.30	0.015-3.20	0.019-4.10	0.023-5.00	0.030-6.60	0.038-8.30	15	
505Di	110	3.10	4.60	6.40	8.10	9.90	13.00	17.0	15	
Drive	rpm	Translucent 1.47mm 0.058"	Yellow/Blue 1.52mm 0.060"	Blue/Blue 1.65mm 0.065"	Green/Green 1.85mm 0.070"	Purple/Purple 2.05mm 0.080"	Purple/Black 2.38mm 0.090"	Purple/Orange 2.54mm 0.100"	Purple/White 2.79mm 0.110"	Maximum channels
302F	7/55 110	1.10/8.80 18.0	1.20/9.40 19.0	1.40/11.0 22.0	1.80/14.0 28.0	2.10/17.0 33.0	2.50/20.0 40.0	3.00/24.0 47.0	3.40/26.0 53.0	10 10
302S	5.5-55	0.88-8.80	0.94-9.40	1.1-11.0	1.4-14.0	1.7-17.0	2.0-20.0	2.4-24.0	2.6-26.0	10
505S, 505U	0.5-55	0.080-8.80	0.085-9.40	0.100-11.0	0.127-14.0	0.155-17.0	0.182-20.0	0.218-24.0	0.236-26.0	15
505Du	0.25-55	0.040-8.80	0.043-9.40	0.050-11.0	0.064-14.0	0.077-17.0	0.091-20.0	0.109-24.0	0.118-26.0	15
505Di	110	18.0	19.0	22.0	28.0	33.0	40.0	47.0	53.0	15

Note: 304MC, 304MCX pumpheads must not be run at speed greater than 110rpm.

308MC and 508MC flow rate ranges (ml/min)									
Drive	rpm	Orange/Black 0.13mm 0.005"	Orange/Red 0.19mm 0.007"	Orange/Blue 0.25mm 0.010"	Orange/Green 0.38mm 0.015"	Orange/Yellow 0.50mm 0.020"	Orange/White 0.63mm 0.025"	Maximum channels	
302F	7/55 110	0.01/0.04 0.09	0.02/0.14 0.28	0.03/0.23 0.47	0.05/0.41 0.83	0.09/0.70 1.40	0.17/1.30 2.60	10 10	
302S	5.5-55	0.004-0.04	0.01-0.14	0.02-0.23	0.04-0.41	0.07-0.70	0.13-1.30	10	
505S, 505U	0.5-55	0.0004-0.04	0.0013-0.14	0.002-0.23	0.004-0.41	0.006-0.70	0.012-1.30	15	
505Du	0.25-55	0.0002-0.04	0.0006-0.14	0.001-0.23	0.002-0.41	0.003-0.70	0.006-1.30	15	
505Di	110	0.90	0.28	0.47	0.83	1.40	2.60	15	
Drive	rpm	Black/Black 0.76mm 0.030"	Orange/Orange 0.88mm 0.035"	White/White 1.02mm 0.040"	Red/Red 1.14mm 0.045"	Grey/Grey 1.29mm 0.050"	Yellow/Yellow 1.42mm 0.055"	Translucent 1.47mm 0.058"	Maximum channels
302F	7/55 110	0.25/1.90 3.90	0.34/2.60 5.30	0.42/3.30 6.60	0.56/4.40 8.80	0.67/5.20 10.0	0.77/6.10 12.0	0.84/6.60 13.0	10 10
302S	5.5-55	0.19-1.90	0.26-2.60	0.33-3.30	0.44-4.40	0.52-5.20	0.61-6.10	0.66-6.60	10
505S, 505U	0.5-55	0.017-1.90	0.024-2.60	0.030-3.30	0.040-4.40	0.047-5.20	0.055-6.10	0.060-6.60	15
505Du	0.25-55	0.009-1.90	0.012-2.60	0.015-3.30	0.020-4.40	0.024-5.20	0.028-6.10	0.030-6.60	15
505Di	110	3.90	5.3	6.60	8.80	10.0	12.0	13.0	15
Drive	rpm	Yellow/Blue 1.52mm 0.060"	Blue/Blue 1.65mm 0.065"	Green/Green 1.85mm 0.070"	Purple/Purple 2.05mm 0.080"	Purple/Black 2.38mm 0.090"	Purple/Orange 2.54mm 0.100"	Purple/White 2.79mm 0.110"	Maximum channels
302F	7/55 110	0.91/7.20 14.0	1.10/8.30 17.0	1.30/9.90 20.0	1.50/12.0 24.0	1.80/14.0 29.0	2.10/17.0 33.0	2.30/18.0 36.0	10 10
302S	5.5-55	0.72-7.20	0.83-8.30	0.99-9.90	1.20-12.0	1.40-14.0	1.70-17.0	1.80-18.0	10
505S, 505U	0.5-55	0.065-7.20	0.075-8.30	0.09-9.9	0.11-12.0	0.13-14.0	0.15-17.0	0.16-18.0	15
505Du	0.25-55	0.033-7.20	0.038-8.30	0.045-9.9	0.055-12.0	0.64-14.0	0.077-17.0	0.082-18.0	15
505Di	110	14.0	17.0	20.0	24.0	29.0	33.0	36.0	15

Note: 308MC, 308MCX pumpheads must not be run at speed greater than 110rpm.

304MC, 308MC, 504MC2, 508MC2



PB0206/10

Double pump segment manifold pump tubing for MC microcassette pumpheads

Colour code	Bore	Bore	Marprene*	PVC	Silicone
Orange/black	0.13mm	0.005"		981.0013.000	
Orange/red	0.19mm	0.007"		981.0019.000	
Orange/blue	0.25mm	0.010"	979.0025.000	981.0025.000	
Orange/green	0.38mm	0.015"	979.0038.000	981.0038.000	
Orange/yellow	0.50mm	0.020"	979.0050.000	981.0050.000	
Orange/white	0.63mm	0.025"	979.0063.000	981.0063.000	983.0063.000
Black/black	0.76mm	0.030"	979.0076.000	981.0076.000	983.0076.000
Orange/orange	0.88mm	0.035"	979.0088.000	981.0088.000	983.0088.000
White/white	1.02mm	0.040"	979.0102.000	981.0102.000	983.0102.000
Red/red	1.14mm	0.045"	979.0114.000	981.0114.000	983.0114.000
Grey/grey	1.29mm	0.050"	979.0129.000	981.0129.000	983.0129.000
Yellow/yellow	1.42mm	0.055"	979.0142.000	981.0142.000	983.0142.000
Translucent	1.47mm	0.058"			983.0147.000
Yellow/blue	1.52mm	0.060"	979.0152.000	981.0152.000	983.0152.000
Blue/blue	1.65mm	0.065"	979.0165.000	981.0165.000	983.0165.000
Green/green	1.85mm	0.070"	979.0185.000	981.0185.000	983.0185.000
Purple/purple	2.05mm	0.080"	979.0205.000	981.0205.000	983.0205.000
Purple/black	2.38mm	0.095"	979.0238.000	981.0238.000	983.0238.000
Purple/orange	2.54mm	0.100"	979.0254.000	981.0254.000	983.0254.000
Purple/white	2.79mm	0.110"	979.0279.000	981.0279.000	983.0279.000

* For autoclavable tubing, please replace last "0" of Product code with "*" - for example, 979.0238.00*

Declaration of incorporation

We declare that when any pump or drive unit listed below is used with any Watson-Marlow pumphead and intended for installation into machines or is to be assembled with other machines for installations, it must not be put into service until the machinery into which it is to be incorporated has been declared to be in conformity with the provisions of the Machinery Directive 2006/42/EC.

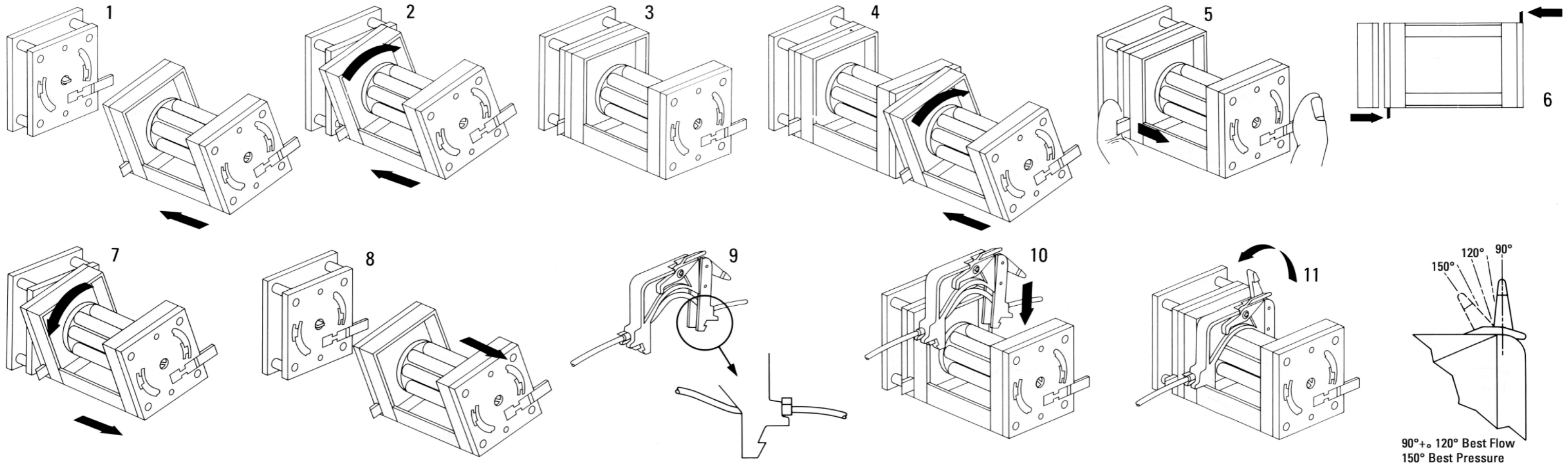
Drives	Baseplates	Pumpheads	Accessories
102FS	501B	101R 505AA	501TF
102FD	601B	102R 505BA	505AV
101FA	701B	303D 505LA	505AF
303FAC		303X 505L	505AH
303FDC		304D 501RL	605AF
303FC		304X 501RL2	605AV
303FD		306D 601R	101SCB
501F		306X 605L	303SCB
501FAC		304MC 701R	501TH
501FDC		308MC 701RE	Tube monitor
601F		701RX	Mains interface
		701RXE	

Responsible person: Watson-Marlow Limited, Falmouth, Cornwall TR11 4RU, England.
Telephone +44 (0) 1326 370370, Fax +44 (0) 1326 376009
E-mail info@watson-marlow.co.uk
www.watson-marlow.com

David Cole
Managing Director

304MC, 308MC, 504MC2, 508MC2

304MC and 308MC



504MC2 and 508MC2

