



520DiN/R2 & 520DiN/R

Dispensing and Transfer Pump Digital/Auto/Manual Control Nema 4X Washdown Enclosure

Technical Information and Features

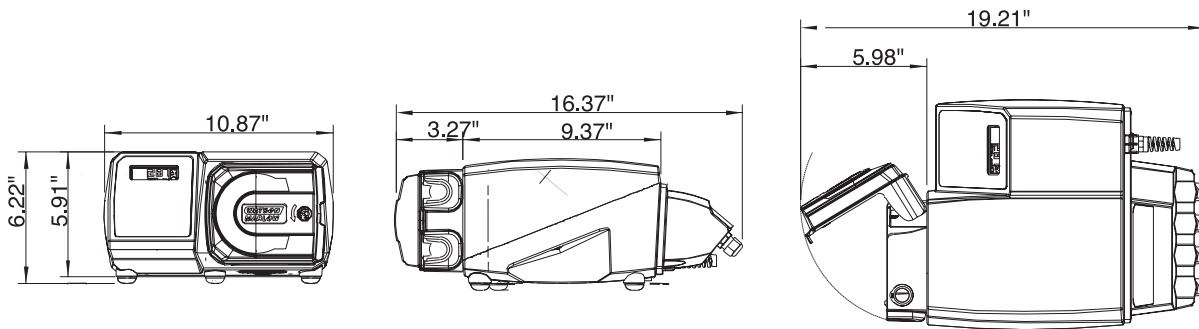
- Flow rates from 0.004 to 4,800 mL/min (0.00006-76 gph) and dispensing accuracy of $\pm 1\%$ or better
- Discharge pressures up to 30 psi
- Operator friendly keypad offering:
 - Dose mode with easy programming of: Dispense, dispense interval, batch size, interval, speed, ramp of start and/or finish, suck back (anti-drip function)
 - Easy on the fly calibration by weight or volume allowing dose recalibration without batch interruption
 - Dose program storage: Ability to store up to 50 dispensing programs
 - Manual mode for fluid transfer with: Start/stop, direction, and speed control from 0.1 - 300 rpm in 0.1 rpm increments
 - Easy navigation through menu via up/down arrows through 4 lines of text with on-screen help
 - Large clear LCD display during dose with accurate digital monitoring for batch progress indicating program name, number of doses completed and remaining. Display can also toggle from rpm or flowrate (with choice of 10 vol or 10 mass flow units)
 - Option of security code protection for set functions, with a higher level to safe guard dispensing and calibration values
- Flow totalizer, auto re-start, speed limit setting, date/time functions also available
- Remote control interface offering:
 - Outputs: 4 configurable NO or NC relay contacts with choice of run/stop, direction, leak detected, network/manual, dose, batch or general alarm
 - Inputs: 24V industrial logic, 5VTTL or dry contact for run/stop, pause dispense, direction, leak detected, and dose input
 - RS485 control interface, allowing computer display and networking of multiple drives
 - Dispense initiation via footswitch, handswitch, or other remote device
- Tough NEMA 4X enclosure with excellent chemical resistance rated for high pressure washdown
- Quiet, continuous duty and maintenance free closed loop microprocessor controlled brushless DC motor
- Fitted with twin-sprung roller, easy loading 520R or 520R2 pumpheads for high accuracy and gentle pumping. Made from corrosion resistant materials with a tough tool unlockable guard
 - 520R2 accepts tube sizes #105, 108, 119, 120, 15, 24, 121 and 122 (0.5-9.6mm bore & 2.4mm wall)
- Optional 520R for low pressure applications accepts tube sizes #112, 13, 14, 16, 25, 17, 18 (0.5-8.0mm bore & 1.6mm wall)
- Optional pumpheads include 313/314 easy loading flip top, 505L low pulse and 505CA low flow multi-channel

Flow Rate Ranges (ml/min) and Minimum Recommended Dispense Sizes (ml)

2.4 mm Thick Wall Tube #	105	108	119	120	15	24	121	122
1.6 mm Thin Wall Tube #	112	13	14	16	25	17	18	N/A
	1/50"	1/32"	1/16"	1/8"	3/16"	1/4"	5/16"	3/8"
Speed range	0.5mm	0.8mm	1.6mm	3.2mm	4.8mm	6.4mm	8.0mm	9.6mm
0.1 to 300rpm	0.004-13	0.01-33	0.04-130	0.18-530	0.40-1200	0.70-2100	1.1-3300	1.6-4800
Min. Dispense size	0.09	0.22	1.0	3.5	8.0	14.1	22	32

* 1 gal = 3785.4 ml

Note: Flowrates are based on Silicone and Sta-pure™ tubing and may alter slightly if using other materials.



520DiN/R2 & 520DiN/R

Dispensing and Transfer Pump Digital/Auto/Manual Control Nema 4X Washdown Enclosure

Technical Specifications

Shipping Weight: 23 lbs

Maximum Power Consumption: 135 VA

Supply: 100-120/200-240V, 50-60Hz (voltage selectable)

Maximum Rotor Speed: 350 RPM

Enclosure: NEMA 4X

Operational Temperature Range: 5°C to 40°C

Noise: max 70dBA at 1 meter

Standards

Meets all applicable CE and American ETL Standards
UL610101A-1

Product Codes

520DiN Drive, 350 rpm	056.717N.00A
520R2 Pumphead	053.1011.2L0
520R Pumphead	053.1011.100
Complete 520DiN/R2	050.717N.2LA
Complete 520DiN/R	050.717N.10A

Materials of Construction

Pumphead

Track, Rotor Body, Rotor Arms: PPS (polyphenylene sulfide) high performance engineering plastic

Rollers and Bearings: 316SS rollers, low friction stainless steel bearings with PTFE seals

Drive

Casework: Pressure die-cast Aluminum LM24

Coating: Alcrom Pre-treatment, exterior grade polyester powder coat

Keypad: Polyester

Feet: Santoprene

Switch Plate: Glass filled ABS plastic

Rear Blanking Plate: Stainless steel 304

Gearbox nose: Aluminum LM24M

Drive Shaft: Electroless nickel plated carbon steel

Available Tubing Materials:

2.4 mm thick wall for 520R2

Bioprene® (excl. 0.5 & 0.8mm)

Marprene® (excl. 0.5 & 0.8mm)

Silicone

Sta-Pure™ (excl. 0.5, 0.8 & 9.6mm)

Chem-Sure™ (excl. 0.5, 0.8 & 9.6mm)

1.6 mm thin wall for 520R (all excl. 9.6mm)

Bioprene®

Marprene®

Silicone

Neoprene (excl. 0.5 mm)

Butyl (excl. 0.5 & 0.8 mm)

Tygon® (excl. 0.5 & 0.8mm)

Fluorel™ (excl. 0.5 & 0.8mm)

Sta-Pure™ (excl. 0.5 & 0.8 mm)

Chem-Sure™ (excl. 0.5 & 0.8 mm)

The information contained in this document is believed to be correct, but Watson-Marlow Bredel Pumps accepts no liability for any errors it contains, and reserves the right to alter specifications without notice.

Sta-Pure and Chem-Sure are trademarks of W.L. Gore & Associates, Inc.

Tygon is a trademark of Saint-Gobain Corporation

Fluorel is a trademark of 3M Corporation

Watson-Marlow Bredel Pumps

37 UPTON TECHNOLOGY PARK, WILMINGTON, MA 01887-1018

TEL: 978-658-6168 / FAX: 978-658-0041

www.watson-marlow.com

support@wmbpumps.com